

U.S. MARINE CORPS TECHNICAL MANUAL

**PRINCIPAL TECHNICAL CHARACTERISTICS
AND COMPONENTS LIST
OF
U.S. MARINE CORPS
CLOSE QUARTERS BATTLE EQUIPMENT**



THIS PUBLICATION IS REQUIRED FOR OFFICIAL USE OR FOR ADMINISTRATIVE OR OPERATIONAL PURPOSES. DISTRIBUTION IS LIMITED TO U.S. GOVERNMENT AGENCIES ONLY. OTHER REQUESTS FOR THIS DOCUMENT MUST BE REFERRED TO: COMMANDANT OF THE MARINE CORPS (ARD), WASHINGTON, D.C. 20380-0001.

DESTRUCTION NOTICE: FOR UNCLASSIFIED, LIMITED DOCUMENTS, DESTROY BY ANY METHOD THAT WILL PREVENT DISCLOSURE OF THE CONTENTS OR RECONSTRUCTION OF THE DOCUMENT.

FOR OFFICIAL USE ONLY

SEPTEMBER 1997

18424562000

184 245620 00



TM 24562A-14

**DEPARTMENT OF THE NAVY
Headquarters, U.S. Marine Corps
Washington, D.C. 20380-0001**

30 September 1997

1. This Technical Manual (TM), authenticated for Marine Corps use and effective upon receipt, describes the technical characteristics and components for Marine Corps Close Quarters Battle Equipment (CQBE).
2. Submit notice of discrepancies or suggested changes on NAVMC 10772 to: Commander, Marine Corps Logistics Bases (Code 850), 814 Radford Blvd., Albany, Georgia 31704-1128. In addition, forward an information copy to the Project Officer at the following address: Commander, Attn: CBG, Marine Corps Systems Command, 2033 Barnett Ave, Suite 315, Quantico, Virginia 22134-5010 or via the following Internet address: LOGC@QUANTICO.USMC.MIL.

BY DIRECTION OF THE COMMANDANT OF THE MARINE CORPS

OFFICIAL:



M. K. HAYDEN
Colonel, USMC
Director, Program Support
Marine Corps Systems Command

DISTRIBUTION: PCN 184 245620 00

LIST OF EFFECTIVE PAGES

INSERT LATEST CHANGE PAGES; DESTROY SUPERSEDED PAGES

NOTE: The portion of the text affected by the changes is indicated by a vertical line in the outer margin of the page. Changes to illustrations are indicated by miniature pointing hands. Changes to wiring diagrams are indicated by shaded areas.

Dates of issue for originals and changed pages are:

Original...0...30 SEPTEMBER 97

TOTAL NUMBER OF PAGES IN THIS PUBLICATION IS 191 PAGES CONSISTING OF THE FOLLOWING:

Page No.	*Change No.
A (List of Effective Pages)	0
B blank	0
C (Record of Change)	0
D blank	0
i - viii	0
1-1 - 1-4	0
2-1/ (2-2 blank)	0
2-3 - 2-8	0
3-1/ (3-2 blank)	0
3-3 - 3-15	0
3-16 blank	0
4-1/ (4-2 blank)	0
4-3 - 4-28	0
5-1/ (5-2 blank)	0
5-3 - 5-6	0
6-1/ (6-2 blank)	0
6-3 - 6-63	0
6-64 blank	0
7-1/ (7-2 blank)	0
7-3 - 7-12	0
A-1/ (A-2 blank)	0
A-3 - A-14	0
B-1/ (B-2 blank)	0
B-3 - B-10	0
C-1/ (C-2 blank)	0
C-3 - C-10	0
D-1/ (D-2 blank)	0
D-3 - D-7	0

* Zero in this column indicates an original page.

RECORD OF CHANGES

CHANGE NO.	DATE	TITLE OR BRIEF DESCRIPTION	ENTERED BY

TABLE OF CONTENTS

	<u>Page</u>
Safety Summary	vii
Chapter 1 INTRODUCTION	1-1
1-1. SCOPE	1-1
1-2. GENERAL ARRANGEMENT	1-1
1-3. METHODS OF LOCATING EQUIPMENT DATA	1-2
1-4. EQUIPMENT DESCRIPTION SHEET FORMAT	1-2
1-5. RE-ORDERING OF CQB EQUIPMENT	1-2
1-6. ABBREVIATIONS	1-3
Chapter 2 ASSAULT SUIT EQUIPMENT LISTING	2-1
ASSAULT SUIT	2-3
Assault Suit: c/o;	
Assault Suit	2-5
Balaclava	2-7
Gloves, Combat Vehicle Crewman's	2-8
Chapter 3 ASSAULT VEST SYSTEM	3-1
ASSAULT VEST SYSTEM	3-3
Assault Vest System: c/o;	
Ballistic Panel, Body Armor	3-6
Outershell, Assault Body Armor	3-6
Ballistic Panel, Groin Protector	3-6
Outershell, Groin Protector	3-6
Ballistic Plate Insert, Ceramic Tile	3-8
Vest, Load Bearing, Assault	3-9
Magazine Pouch, Rifle or Pistol	3-10
Pack, Day	3-11
Pouch, Grenade	3-12
Pouch, Comm Head Set	3-12
Pouch, Shotgun	3-12
Pouch, Utility	3-13
Pouch, Less-Than-Lethal	3-13
Pouch, Drop	3-13
Blank Pad, P9A	3-14
Blank Pad, P9B	3-14
Blank Pad, P9X	3-14

TABLE OF CONTENTS (Continued)

	<u>Page</u>
Assault Vest System: (Continued)	
Blank Pad, P9Y	3-14
Weapon Butt Retention Pad	3-15
Tactical Scabbard	3-15
Back Support Harness	3-15
Carrying Case, AVS	3-15
Chapter 4 INDIVIDUAL ASSAULT KIT	4-1
INDIVIDUAL ASSAULT KIT	4-3
Individual Assault Kit: c/o;	
Climbing Equipment: c/o;	
Ascender	4-5
Descender	4-5
Carabiner, Omega	4-6
Carabiner, Locking, Modified	4-6
Etriers	4-7
Harness, Chest	4-8
Harness, Vario-Sit	4-8
Pulley Assembly	4-9
Rope, Nylon, 9/32"	4-10
Bag, Rope	4-11
Rope, Static, 7/16"	4-11
Individual Protective Equipment: c/o;	
Aural Protectors, Sound	4-12
Glasses, Range	4-13
Goggles, Ballistic	4-13
Applique, Anti-Fog	4-13
Gloves, Welders'	4-14
Helmet, Assault	4-15
Suspension, Replacement Kit	4-15
Non-Ballistic Helmet	4-15
Pads, Elbow	4-16
Pads, Knee	4-16
Load Bearing Equipment: c/o;	
Belt, Assault	4-17
Holster, Assault	4-18
Pouch, Magazine, Pistol	4-19
Pouch, Magazine, Sub-Machine Gun (SMG)	4-20

TABLE OF CONTENTS (Continued)

	<u>Page</u>
Individual Assault Kit: (Continued)	
Utility Equipment: c/o;	
Bag, Tool Satchel	4-21
Flashlight, High Intensity	4-22
Kit, Bag, Flyers	4-23
Light Marker, Distress	4-24
Tool, Survival, Multipurpose	4-25
Wedge, Door	4-26
Personnel Restraining Devices: c/o;	
Baton, Collapsible	4-27
Scabbard, Baton	4-27
Strap Kit, Involuntary	4-28
Chapter 5 ASSAULT GAS MASK	5-1
ASSAULT GAS MASK	5-3
Assault Gas Mask: c/o;	
Mask, Chemical - Biological	5-3
Voice Projection Unit	5-6
Chapter 6 ASSAULT BREACHER KIT	6-1
ASSAULT BREACHER KIT	6-3
Assault Breacher Kit: c/o;	
Applicator, Gun, Glue	6-5
Armguard, Abrasion Resistant	6-6
Bag, Tool, Satchel	6-7
Bar, Wrecking	6-8
Blanket, Breacher, w/ Case	6-9
Blasting Machine	6-10
Breaching Device, Hydraulic	6-11
Carrier, Tool	6-12
Case, Drill, Twist	6-13
Chest, Tool Kit	6-14
Clamps, C	6-15
Connector, Detonating Cord	6-16
Cutter, Bolt	6-17

TABLE OF CONTENTS (Continued)

	<u>Page</u>
Assault Breacher Kit: (Continued)	
Drill, Breast	6-18
Drill, Electric, Portable	6-19
Drills, Twist (Bits)	6-20
Fire Fighting Equipment Set	6-21
Firing Device, Dual Shock Tube	6-23
Firing Device, Handheld	6-24
Flashlight	6-25
Galvanometer	6-26
Gloves, Abrasion Resistant	6-27
Goggles, Industrial	6-28
Hammer, Hand, Carpenters	6-29
Hammer, Hand, Sledge (2-1/2 lb)	6-30
Hammer, Hand, Sledge (10 lb)	6-31
Hooligan Tool, Pry Bar	6-32
Key Set, Socket Head	6-33
Knife, Craftman's	6-34
Lubricating Gun, Hand	6-35
Nail	6-36
Paste, Adhesive, Breacher	6-37
Pliers, Fence	6-38
Pliers, Needle Nose	6-39
Pliers, Diagonal Cutting	6-40
Pliers, Slip Joint	6-41
Pouch, Mechanics Tool	6-42
Puller, Lock Cylinder	6-43
Punch, Center, Automatic	6-44
Ram, Battering	6-45
Stud Finder, Density	6-46
Tack	6-47
Tacker, Staple Gun	6-48
Tacker, Staple Hammer	6-49
Tape, Engineer, Textile	6-50
Tape, Insulation, Electrical	6-51
Tape, Pressure Sensitive (Double-sided)	6-52
Tape, Pressure Sensitive (Single-sided)	6-53
Target, Kneeling	6-54
Thermoplastic, Contact Adhesive	6-55
Wrench, Pipe	6-56

TABLE OF CONTENTS (Continued)

	<u>Page</u>
Assault Breacher Kit: (Continued)	
Demolition Equipment: c/o;	
Bag, Demolition Equipment	6-57
Box, Blasting Cap	6-58
Crimper, Blasting Cap	6-59
Knife, Pocket	6-60
Shears, Metal Cutting	6-61
Tape, Measuring (6 Ft)	6-62
Tape, Measuring (100 Ft)	6-63
Chapter 7 ASSAULT BREACHER TORCH KIT	7-1
ASSAULT BREACHER TORCH KIT	7-3
Operational Kit: c/o;	
Back Harness Assembly	7-5
Belt, Nylon, w/D-Rings	7-5
Case, Operational Kit	7-5
Cylinder, Composite, Oxygen	7-5
Gauge, High Pressure	7-6
Hose Assembly, Oxygen, 5'	7-6
Pouch, Ignitor	7-6
Quiver, Rod	7-6
Regulator, Oxygen, Industrial	7-7
Regulator, Oxygen, Submersible	7-7
Rod, Extender, 14"	7-7
Shield, Leather	7-7
Torch, Lightweight, Operational	7-7
Training Kit: c/o;	
Battery, Power Station w/ Connectors	7-8
Cable, Power, 15' w/ Connectors	7-8
Case, Training Kit	7-8
Clamp, Battery Adapter	7-8
Divider Panel	7-8
Hose Assembly, Oxygen, 5'	7-9
Hose Assembly, Oxygen, 10'	7-9
Striker Holder, Leather	7-9
Striker Plate Assembly	7-9
Torch, Lightweight, Training	7-9
Shield, Leather	7-9

TABLE OF CONTENTS (Continued)

	<u>Page</u>
Support Equipment: c/o;	
Coat, Leather, XXXL	7-10
Gloves, Leather	7-10
Glasses, Safety	7-11
Helmet	7-11
Helmet Bracket, Flip, Shield	7-11
Shield, Face	7-11
Shield, Neck, Helmet	7-11
 Consumables: c/o;	
Collet Kit, 1/4"	7-12
Collet Kit, 3/8"	7-12
Cutting Rod, 1/4 x 18"	7-12
Cutting Rod, 3/8 x 18"	7-12
Cutting Rod, 3/8 x 36"	7-12
Rod Ignitor	7-12
 APPENDIX A - COMPONENT PARTS LISTS A-1	
Assault Suit	A-3
Assault Vest System	A-4
Individual Assault Kit	A-6
Assault Gas Mask	A-8
Assault Breacher Kit	A-9
Assault Breacher Torch Kit	A-13
 APPENDIX B - NATIONAL STOCK NUMBER INDEX B-1	
 APPENDIX C - PART NUMBER INDEX C-1	
 APPENDIX D - COMMERCIAL AND GOVERNMENT ENTITY CODE INDEX D-1	

SAFETY SUMMARY

The following **WARNINGS** appear on the page referenced and are listed here for emphasis.



The manufacturer's part numbers and CAGE code for the Assault Vest System are the only authorized item for procurement for Marines engaged in CQB missions. This is the only system that has currently passed the U.S. Marine Corps ballistic requirements for an Assault Vest System. There are no suitable substitutes authorized for the Assault Body Armor or Ballistic Plate Inserts. Any substitution must first be approved by MARCORSSCOM (Code: CBG1-C). (Page 3-4)



The Ballistic Plate Insert must be worn in conjunction with the Assault Body Armor to provide protection from fired high velocity rounds. (Page 3-8)



The Non-Ballistic Helmet provides *bump protection* only and does not meet established DOT standards for impact protection nor does it provide protection from munitions. (Page 4-15)



The filter does not provide protection against ammonia or carbon monoxide which are gases, not particles in the atmosphere. (Page 5-3)

SAFETY SUMMARY (Continued)



The filter does not provide protection from an oxygen deficient atmosphere. (Page 5-3)



The manufacturer's part number and CAGE code number for the Breacher Blanket is the only authorized item for procurement for Marines engaged in CQB operations. This is the only item that has currently passed the U.S. Marine Corps ballistic requirements for a Breacher Blanket. There are no suitable substitutes authorized for the Breacher Blanket. Any substitution must first be approved by MARCORSSYSCOM (Code: CBG1-C). (Page 6-9)



Handles are not electrically insulated. (Page 6-17)

CHAPTER 1

INTRODUCTION

1-1. SCOPE. This manual provides easy-to-use reference data for most items of Marine Corps Close Quarters Battle Equipment (CQBE). Equipment descriptions, which make up the bulk of the manual, provide the major components and principal physical and technical characteristics of the equipment. If available, photographs or drawings of the equipment are provided, as well as specific instructions pertaining to equipment maintenance.

1-2. GENERAL ARRANGEMENT. To make locating data easier and quicker, a component parts listing and two separate cross-reference listings of Marine Corps Close Quarters Battle Equipment are provided to expeditiously locate the individual descriptions on each item.

- a. Component Parts Listings. This index (see Appendix A) consists of individual (SL-3 type) component lists for each CQBE kit, system, and/or ensemble. Separate lists are provided for the Assault Suit, Assault Vest System (AVS), the Individual Assault Kit (IAK), the Assault Gas Mask (AGM), the Assault Breacher Kit (ABK), and the Assault Breacher Torch Kit (ABTK).
- b. National Stock Number Index. This index (see Appendix B) consists of a numerical listing of items of equipment in NSN sequence. The listing provides NSN, equipment nomenclature, part number (P/N), CAGE code, and a page reference to the equipment description in chapters 2 through 7 where complete data is provided.
- c. Part Number Index. This index (see Appendix C) consists of a numerical listing of items of equipment in part number sequence. The listing provides part number, equipment nomenclature, NSN, CAGE code, and a page reference to the equipment description in chapters 2 through 7 where complete data is provided.
- d. Commercial and Government Entity (CAGE) Code Index. This index (see Appendix D) consists of CAGE codes in alpha-numerical sequence. The listing provides CAGE code and manufacturer information.

1-3. METHODS OF LOCATING EQUIPMENT DATA. The appropriate method for locating equipment data in this Manual depends upon the basic information available.

- a. If the item nomenclature is known, e.g., hammer, sledge, use the Table of Contents to find the specific item and the page on which the equipment description is located.
- b. If the NSN is known, refer to the NSN numeric listing (Appendix B) to find the specific item and the page on which the equipment description is located.
- c. If the Part Number is known, refer to the numeric listing (Appendix C) to find the specific item and the page on which the equipment description is located.

1-4. EQUIPMENT DESCRIPTION SHEET FORMAT. Each item of equipment is given a complete description. Although data provided are self explanatory, some special instructions on the use of the data pages are provided below:

- a. References. Reference documents that address the specific items are identified by document number.
- b. Containers for Sets and Kits. Many sets or kits of tools, accessories, and expendable supplies listed in this manual are issued without containers. Since containers may be constructed to suit the particular needs of the unit, dimensions and weights of the carrying case/chest for such sets and kits will be included, if available.

1-5. RE-ORDERING OF CQB EQUIPMENT. Due to the low density of Close Quarter's Battle Equipment (CQBE) fielded throughout the Marine Corps, Commander, Marine Corps Logistics Bases (COMMARCORLOGBASES), Albany (Code: 835) has determined that many of the items of equipment identified in this manual will not receive NSN's. Units are directed to use the part number and CAGE code to identify and procure any item without an NSN in order to maintain equipment standardization throughout the U.S. Marine Corps.

1-6. ABBREVIATIONS. The following abbreviations are used in this Manual:

ABK	Assault Breacher Kit
ABTK-I	Assault Breacher Torch Kit - Industrial
ABTK-S	Assault Breacher Torch Kit - Submersible
amp	ampere(s)
AR	as required
AS	Assault Suit
AVS	Assault Vest System
BT	bottle
BX	box
CA	can
CAGE	Commercial and Government Entity (Code)
cal	caliber
CBR	Chemical, Biological and Radiological
CN	container
CQB	Close Quarters Battle
cuft	cubic feet
cuyd	cubic yard
DA/IHR	Direct Action / In-extremis Hostage Rescue
dB	decibels
dia	diameter
DOT	Department of Transportation
EA	each
EOD	Explosive Ordnance Disposal
ft ²	square foot(feet)
ft ³	cubic foot(feet)
°F	degrees Fahrenheit
FMJ	Full Metal Jacket
fps	feet per second
gr	grain
h or H	height
hr	hour(s)
Hz	Hertz
IAK	Individual Assault Kit
ID	Item Designator
in.	inch(es)
ISO/ANSI	International Standard Organization / American National Standard Institute

1-6. ABBREVIATIONS. (Continued)

KT	kit
Kw	Kilowatt(s)
LB or lb(s)	pound(s)
lg or L	length
max	maximum
mm	millimeter(s)
NIJ	National Institute of Justice
NSN	National Stock Number
oz	ounce(s)
PG	package
P/N	part number
PR	pair
Qty	quantity
RMS	root mean square
RO	roll
RPM	revolution per minute
SAC	Stores Account Code
SMG	sub-machine gun
sq ft	square feet
TAMCN	Table of Authorized Material Control Number
TBD	To Be Determined
thk	thick(ness)
U/I	Unit of Issue
U/M	Unit of Measure
V	volt(s)
Vac	volt(s) alternating current
Vdc	volt(s) direct current
w or W	width
yd	yard(s)

CHAPTER 2
ASSAULT SUIT

ASSAULT SUIT

TAMCN: K4958 IIF
P/N: 95002A0012

NSN: 8415-01-428-2341
CAGE: 01365

ID: 10294A
SAC: 1

NOTE
ILLUSTRATIONS OF INDIVIDUAL COMPONENTS
CAN BE FOUND ON PAGES 2-5 THROUGH 2-8

DESCRIPTION AND FUNCTION

The Assault Suit (AS) provides the individual Marine with protection from high temperatures and/or flash fires which may be encountered while conducting Close Quarters Battle (CQB) missions. The AS consists of a fire resistant one piece assault suit, a pair of combat vehicle crewmen's (CVC) gloves and a balaclava.

TECHNICAL CHARACTERISTICS

Dimensions 17 in. (L), 12 in. (W), 3 in. (H)
Square 1.4 sqft
Cube 0.4 cuft
Weight 5 lbs

MAJOR COMPONENTS

SUPPLY SYSTEM RESPONSIBILITY

<u>NOMENCLATURE</u>	<u>AVAILABLE SIZES</u>	<u>U/I</u>	<u>QTY</u>
Assault Suit	15	EA	1
Balaclava, Nomex	1	EA	1
Gloves, CVC, Nomex	6	PR	1

REFERENCES

Letter of Adoption and Procurement, Number 53-90 (REV 1), Parts 1 and 2 for the Assault Suit
ULSS-005390-15, User's Logistics Support Summary for the Assault Suit, NSN 8415-01-428-2341
FM 21-15, Care and Use of Individual Clothing and Equipment

ASSAULT SUIT (Continued)

SPECIFIC INSTRUCTIONS

First and second echelon (Organizational) maintenance will be conducted by the owning/using unit. First echelon maintenance will include proper care, cleaning, and storage. The Assault Suit shall be cleaned with mild soap and water only; bleach and dry cleaning solvents can cause the material to lose its fire retardant protection properties. Care and cleaning will also be in accordance with FM 21-15, Care and Use of Individual Clothing and Equipment. Regular care and cleaning is required to ensure serviceability and accountability. Second echelon maintenance will include performing minor repairs such as re-stitching where required, replacing zippers, and applying minor patches. All patching shall be performed using Nomex fire retardant material and aramid or para-aramid thread, such as, A-A-50195 sizes T (Tex)-40, T-60, and T-80. If the owning unit does not have the capability to sew material, they will send the items to FSSG. Disposal of unserviceable items will be in accordance with local directives and procedures.

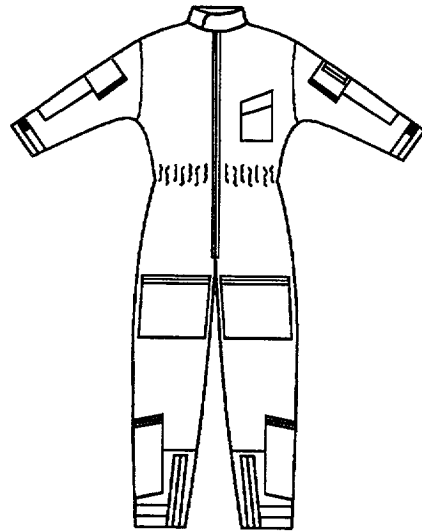
**ASSAULT SUIT COMPONENTS
ASSAULT SUIT**

NOMENCLATURE: Assault Suit

NSN: Refer To Chart Below

PART NUMBER: Refer To Chart Below

CAGE: OUWS0



DESCRIPTION AND FUNCTION

Fire resistant coverall that provides protection from high heat and flash fires that may be encountered while conducting close quarter battle. Made from 6 oz NOMEX IIIA fabric that features elastic waistband, belt loops, and a zipper front. Zipper closures are located in the lower pants legs, breast pocket and pockets on the arm sleeves. Color is sage green. Available in 15 sizes. One suit is issued with each Assault Suit. **Note:** Use Flyers' Coveralls as a suitable substitute.

ASSAULT SUIT TECHNICAL CHARACTERISTICS

<u>SIZE</u>	<u>HEIGHT RANGE</u>	<u>CHEST SIZE</u>	<u>PART NUMBER</u>	<u>NSN</u>
X-Small, Short	below 71 in.	below 33 in.	127-ASO1 X-SM-SHORT	TBD
X-Small, Regular	71 to 74 in.	below 33 in.	127-ASO1 X-SM-REG	TBD
X-Small, Long	Over 74 in.	below 33 in.	127-ASO1 X-SM-LONG	TBD
Small, Short	below 74 in.	33 to 37 in.	127-ASO1 SM-SHORT	TBD
Small, Regular	71 to 74 in.	33 to 37 in.	127-ASO1 SM-REG	TBD
Small, Long	Over 74 in.	33 to 37 in.	127-ASO1 SM-LONG	TBD
Medium, Short	below 67 in.	37 to 41 in.	127-ASO1 MED-SHORT	TBD
Medium, Regular	71 to 74 in.	37 to 41 in.	127-ASO1 MED-REG	TBD
Medium, Long	Over 74 in.	37 to 41 in.	127-ASO1 MED-LONG	TBD
Large, Short	below 67 in.	41 to 45 in.	127-ASO1 LARGE-SHORT	TBD
Large, Regular	71 to 74 in.	41 to 45 in.	127-ASO1 LARGE-REG	TBD
Large, Long	Over 74 in.	41 to 45 in.	127-ASO1 LARGE-LONG	TBD
X-Large, Short	below 67 in.	Over 45 in.	127-ASO1 X-LG-SHORT	TBD
X-Large, Regular	71 to 74 in.	Over 45 in.	127-ASO1 X-LG-REG	TBD
X-Large, Long	Over 74 in.	Over 45 in.	127-ASO1 X-LG-LONG	TBD

ASSAULT SUIT TECHNICAL CHARACTERISTICS
ASSAULT SUIT (Continued)

FLYERS' COVERALLS SUITABLE SUBSTITUTES

<u>SIZE</u>	<u>PART NUMBER</u>	<u>NSN</u>
X-Small, Short	MIL-C-83141 32SHORT	8415-01-351-0316
X-Small, Regular	MIL-C-83141 32REG	8415-01-351-0317
X-Small, Long	MIL-C-83141 32LONG	8415-01-351-0319
Small, Short	MIL-C-83141 36SHORT	8415-01-351-0320
Small, Regular	MIL-C-83141 36REG	8415-01-351-0321
Small, Long	MIL-C-83141 36LONG	8415-01-351-0322
Medium, Short	MIL-C-83141 40SHORT	8415-01-351-0326
Medium, Regular	MIL-C-83141 40REG	8415-01-351-0327
Medium, Long	MIL-C-83141 40LONG	8415-01-351-0328
Large, Short	MIL-C-83141 44SHORT	8415-01-351-0332
Large, Regular	MIL-C-83141 44REG	8415-01-351-0333
Large, Long	MIL-C-83141 44LONG	8415-01-351-0334
X-Large, Short	MIL-C-83141 48SHORT	8415-01-351-0335
X-Large, Regular	MIL-C-83141 48REG	8415-01-351-0338
X-Large, Long	MIL-C-83141 48LONG	8415-01-351-0339

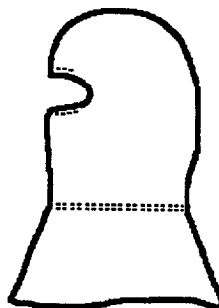
ASSAULT SUIT COMPONENTS

NOMENCLATURE: Balaclava

NSN: TBD

PART NUMBER: 006-1000NHB/OD

CAGE: OUWS0



DESCRIPTION AND FUNCTION

Color is sage green. One balaclava is issued with each Assault Suit.

TECHNICAL CHARACTERISTICS

Size One size fits all

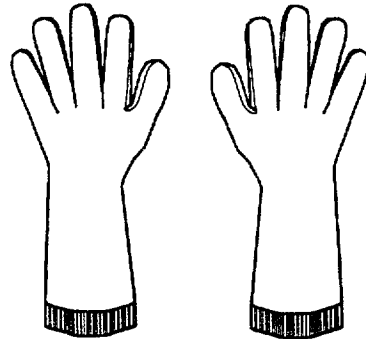
ASSAULT SUIT COMPONENTS

NOMENCLATURE: Gloves, Combat
Vehicle Crewman's

NSN: Refer To Chart Below

PART NUMBER: Refer To Chart Below

CAGE: 81349



DESCRIPTION AND FUNCTION

Fire resistant, perspiration resistant, and water repellent. Cuff and gauntlet are fabricated from leather cattlehide or horsehide and Aramid type GS/FRP-2 fabric which does not melt or drip when exposed to fire and can be laundered without losing its fire resistant properties. The palm, the front of the gauntlet, thumb, and fingers of the gloves are fabricated from a single piece of leather. The gauntlet contains an elastic webbing take-up. These gloves conform to MIL-G-44108. Available in seven sizes. Correct size may be determined by measuring the length of the index finger and using the table below. Color is sage green. One pair of gloves is issued with each Assault Suit. **Note:** Use Flyers' Gloves as a suitable substitute; made from sheepskin leather.

CVC GLOVES TECHNICAL CHARACTERISTICS

<u>SIZE</u>	<u>LENGTH OF INDEX FINGER</u>	<u>PART NUMBER</u>	<u>NSN</u>
5	3-7/16 in.	MIL-G-44108-5	8415-01-074-9428
6	3-1/2 in.	MIL-G-44108-6	8415-01-074-9429
7	3-9/16 in.	MIL-G-44108-7	8415-01-074-9430
8	3-5/8 in.	MIL-G-44108-8	8415-01-074-9431
9	3-11/16 in.	MIL-G-44108-9	8415-01-074-9432
10	3-3/4 in.	MIL-G-44108-10	8415-01-074-9433
11	3-13/16 in.	MIL-G-44108-11	8415-01-074-9434

FLYER'S GLOVES SUITABLE SUBSTITUTES

<u>SIZE</u>	<u>LENGTH OF INDEX FINGER</u>	<u>PART NUMBER</u>	<u>NSN</u>
5	3-7/16 in.	MIL-G-81188-5	8415-01-040-2012
6	3-1/2 in.	MIL-G-81188-6	8415-01-040-1453
7	3-9/16 in.	MIL-G-81188-7	8415-01-029-0109
8	3-5/8 in.	MIL-G-81188-8	8415-01-029-0111
9	3-11/16 in.	MIL-G-81188-9	8415-01-029-0112
10	3-3/4 in.	MIL-G-81188-10	8415-01-029-0113
11	3-13/16 in.	MIL-G-81188-11	8415-01-029-0116

CHAPTER 3
ASSAULT VEST SYSTEM

ASSAULT VEST SYSTEM

TAMCN: C3493 IIF
P/N: Z431101

NSN: 8470-01-439-3072
CAGE: 62283

ID: 10374A
SAC: 1

NOTE
ILLUSTRATIONS OF INDIVIDUAL COMPONENTS
CAN BE FOUND ON PAGES 3-6 THROUGH 3-15

DESCRIPTION AND FUNCTION

The Assault Vest System (AVS) provides the individual Marine with ballistic protection and/or load bearing capabilities necessary for conducting Close Quarters Battle (CQB) missions. The AVS is comprised of three major items. These items are the Assault Body Armor, Ballistic Plate Insert, and Assault Load Bearing Vest.

TECHNICAL CHARACTERISTICS

Dimensions	24 in. (L), 20 in. (W), 10 in. (H)
Square	3.3 sqft
Cube	2.8 cuft
Weight	30 lbs

The Assault Body Armor component of the AVS exceeds the National Institute of Justice (NIJ) Standards for Type IIIA by providing protection from multiple impacts of steel-jacketed 9mm, 124 gr. rounds traveling at 1,400 fps and all lesser threats.

The Ballistic Plate Insert, Ceramic Tile component of the AVS increases vital organ protection to exceed NIJ standards for Type IV by providing protection from multiple impacts of 30-06 M-2, 165 gr. (Armor Piercing rounds), traveling at 2,847 fps and all lesser threats.

The Assault Load Bearing Vest component of the AVS is designed for mounting modular/interchangeable pouches for pistol/SMG magazines, shotgun rounds, gas/smoke canisters, etc. A complete list of these items can be found on page 3-4 of this Manual.

Note that many of the components of the Assault Vest System were originally manufactured using 500 denier Cordura nylon for the procurement of the Initial Issue quantities. All replacement components will be upgraded to 1000 denier Cordura nylon to further enhance durability.

ASSAULT VEST SYSTEM (Continued)



The manufacturer's part numbers and CAGE code for the Assault Vest System are the only authorized item for procurement for Marines engaged in CQB missions. This is the only system that has currently passed the U.S. Marine Corps ballistic requirements for an Assault Vest System. There are no suitable substitutes authorized for the Assault Body Armor or Ballistic Plate Inserts. Any substitution must first be approved by MARCORSYSCOM (Code: CBG1-C).

MAJOR COMPONENTS

SUPPLY SYSTEM RESPONSIBILITY

<u>NOMENCLATURE</u>	<u>U/I</u>	<u>QTY</u>	<u>NOMENCLATURE</u>	<u>U/I</u>	<u>QTY</u>
Ballistic Panel, Assault Body Armor (Eight sizes are available)	EA	1	Pack, Day	EA	1
Outershell, Body Armor (Eight sizes are available)	EA	1	Pouch, Grenade	EA	1
Groin Protector, Ballistic Panel	EA	1	Pouch, Communications Head Set	EA	1
Outershell, Groin Protector	EA	1	Pouch, Shotgun Shell	EA	AR
Ballistic Plate Insert, Ceramic Tile	EA	1	Pouch, Utility	EA	1
Vest, Load Bearing, Assault (One size is available)	EA	1	Pouch, Less-Than-Lethal	EA	1
Magazine Pouch, Rifle or Pistol	EA	3	Pouch, Drop	EA	1
			Blank Pad (Four sizes are available)	EA	Varying
			Weapon Butt Retention Pad	EA	1
			Tactical Scabbard	EA	AR
			Back Support Harness	EA	1
			Carrying Case, AVS	EA	1

REFERENCES

Letter of Adoption and Procurement, Number 51-90 (REV 1), Parts 1 and 2 for the Assault Vest System

ULSS-005190-15, User's Logisitic Support Summary for the Assault Vest System, NSN 8470-01-439-3072

TI-10374A-15, Technical Instruction for Individual Body Armor Performance Standards and Maintenance Instructions

ASSAULT VEST SYSTEM (Continued)**SPECIFIC INSTRUCTIONS**

Organizational, intermediate, and depot level maintenance is required. All maintenance will be in accordance with TI-10374A-15, Marine Corps Individual Body Armor Performance Standard and Maintenance Instructions.

First echelon maintenance will be conducted by the owning/using unit and will include the proper care, cleaning, and storage of the AVS. Regular care and cleaning is required to ensure serviceability and accountability. The AVS shall be cleaned with mild soap and water only; bleach and dry cleaning solvents can cause the material to lose its ballistic protection properties. User maintenance will be in accordance with TI-10374A-15 and the overpacked manufacturer's instructions. Care and cleaning of non-ballistic materials will also be in accordance with FM 21-15, Care and Use of Individual Clothing and Equipment.

Second echelon maintenance will also be performed by the using unit. Repair of the AVS is limited to the stitching of non-ballistic components. Particular attention should be paid to the integrity of the ballistic materials, as any rip, tear, or other damage can degrade the ballistic protection level of the body armor. Any other repair may require returning it to the manufacturer.

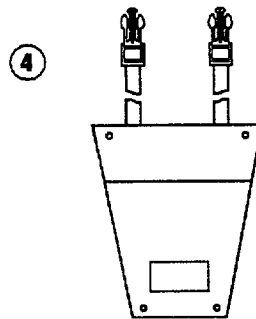
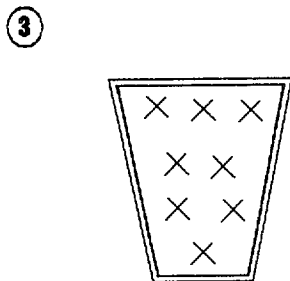
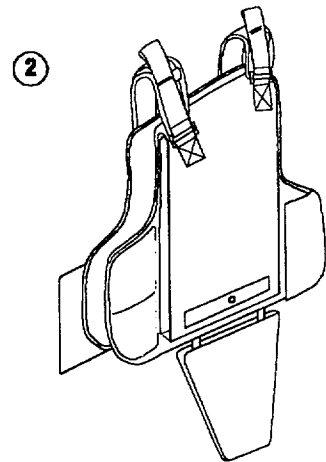
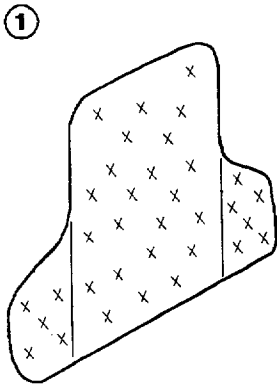
Intermediate level (third/fourth echelon) maintenance includes care for the ballistic plates and possibly sewing/repair of non-ballistic material. The ceramic plates should be X-rayed at least annually and whenever they have been subjected to rough treatment. Due to the nature of ceramics, only X-raying can detect defects in the material. Any cracks or chips render the plate unserviceable. Using units should contact local military medical facilities with X-raying capability to request this service. The X-ray procedures and inspection criteria will be found in Technical Instruction TI-10374A-15, Marine Corps Individual Body Armor Performance Standard and Maintenance Instructions. Any costs for this service will be paid by the using unit.

Fifth echelon maintenance is provided at the depot level. Body armor subjected to gunfire while in operational or training use will be considered unserviceable and can be returned to the manufacturer, either directly or via the MARCORSYSCOM Project Officer (Code CBG1-C), for a replacement. All costs incurred for repair, maintenance, and/or replacement is the responsibility of the using unit. Request for disposition instructions should be submitted to Commander, Marine Corps Logistics Bases (COMMARCORLOGBASES), Albany, GA (Code 835-3).

An AVS requiring repairs beyond the capability of the using unit should be sent to the manufacturer, Point Blank Body Armor Inc., P.O. Box 2646, Laurel, MD 20709, (301) 490-3524. All costs incurred for repair, maintenance, and/or replacement are the responsibility of the using unit.

**ASSAULT VEST SYSTEM COMPONENTS
ASSAULT BODY ARMOR**

<u>ITEM</u>	<u>NOMENCLATURE</u>	<u>NSN</u>	<u>P/N</u>	<u>CAGE</u>
1	Ballistic Panel, Body Armor	Refer To Page 3-7	Z4311Y	62283
2	Outershell, Body Armor	Refer To Page 3-7	Z4311L	62283
3	Ballistic Panel, Groin Protector	8470-01-444-5444	Z4311AA	62283
4	Outershell, Groin Protector	8470-01-444-8202	Z4311AA1	62283



DESCRIPTION AND FUNCTION

The Assault Body Armor is comprised of the Body Armor Ballistic Panel, the Body Armor Outershell, the Groin Protector Ballistic Panel, and the Groin Protector Outershell. Together, they provide ballistic protection against munitions likely to be encountered by Marines conducting CQB DA/IHR missions including steel jacketed rounds fired by sub-machine gun style weapons. The ballistic panels are contained in a waterproof nylon carrier that may be removed for inspection and cleaning. The outershell material is olive drab 1000 denier Cordura nylon that resists abrasion and water absorption.

**ASSAULT VEST SYSTEM COMPONENTS
ASSAULT BODY ARMOR (Continued)**

TECHNICAL CHARACTERISTICS

The Assault Body Armor exceeds the National Institute of Justice (NIJ) Standards for Type IIIA and provides protection from multiple impacts of steel-jacketed 9mm, 123 gr. rounds traveling at 1,445 fps and all lesser threats. The Assault Body Armor is designed for use with the Load Bearing Vest. The eight sizes are listed below. The Groin Protector Ballistic Panel and the Outershell is a one size fits all. One each of the items above is provided with each AVS.

<u>ARMOR SIZE</u>	<u>CHEST RANGE</u>	<u>WAIST RANGE</u>	<u>HEIGHT RANGE</u>	<u>TORSO LENGTH</u>	
Small Regular	33 - 37	30 - 32	67 - 71	Reg	12
Small Long			Over 71	Long	13
Medium Regular	37 - 41	33 - 35	67 - 71	Reg	13
Medium Long			Over 71	Long	14
Large Regular	41 - 45	35 - 37	67 - 71	Reg	13
Large Long			Over 71	Long	14
X-Large Regular	45 - 49	37 - 39	67 - 71	Reg	14
X-Large Long			Over 71	Long	15

NOTE: All range numbers are in inches. Torso length is defined as that distance from a point two inches below the depression at the bottom of the clavicle to the top of a gun belt while in the standing position.

BODY ARMOR BALLISTIC PANEL

<u>PANEL SIZE</u>	<u>NSN</u>	<u>P/N</u>	<u>PANEL SIZE</u>	<u>NSN</u>	<u>P/N</u>
Small Regular	8470-01-444-9909	Z4311Y-SR	Large Regular	8470-01-444-9908	Z4311Y-LR
Small Long	8470-01-444-9906	Z4311Y-SL	Large Long	8470-01-444-9911	Z4311Y-LL
Medium Regular	8470-01-444-4455	Z4311Y-MR	X-Large Regular	8470-01-444-9910	Z4311Y-XLR
Medium Long	8470-01-444-9907	Z4311Y-ML	X-Large Long	8470-01-444-9912	Z4311Y-XLL

BODY ARMOR OUTERSHELL

<u>SHELL SIZE</u>	<u>NSN</u>	<u>P/N</u>	<u>SHELL SIZE</u>	<u>NSN</u>	<u>P/N</u>
Small Regular	8470-01-445-3309	Z4311L-SR	Large Regular	8470-01-445-0992	Z4311L-LR
Small Long	8470-01-445-0994	Z4311L-SL	Large Long	8470-01-445-0998	Z4311L-LL
Medium Regular	8470-01-445-0996	Z4311L-MR	X-Large Regular	8470-01-445-0993	Z4311L-XLR
Medium Long	8470-01-445-0995	Z4311L-ML	X-Large Long	8470-01-444-4458	Z4311L-XLL

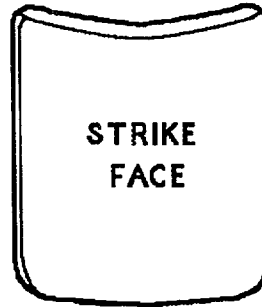
ASSAULT VEST SYSTEM COMPONENTS

NOMENCLATURE: Ballistic Plate Insert,
Ceramic Tile, CP3-2

NSN: 8470-01-445-0997

PART NUMBER: Z4311AB

CAGE: 62283



DESCRIPTION AND FUNCTION

The Ballistic Plate Insert, Ceramic Tiles are inserted into pockets in the Outershell of the Assault Body Armor and are a one size fits all. These plates increase vital organ protection to exceed NIJ standards for Type IV and provide protection from multiple impacts from 30-06 M-2, 165 gr. Armor Piercing rounds traveling at 2,847 fps and all lesser threats.

TECHNICAL CHARACTERISTICS

The Ballistic Plate Insert, Ceramic Tile increases vital organ protection to exceed NIJ standards for Type IV protection.

Weight	8.5 lbs
Dimensions	12 in. (L), 10 in. (W), 1 in. (H)
Qty	2 per AVS



The Ballistic Plate Insert must be worn in conjunction with the Assault Body Armor to provide protection from fired high-powered rounds.

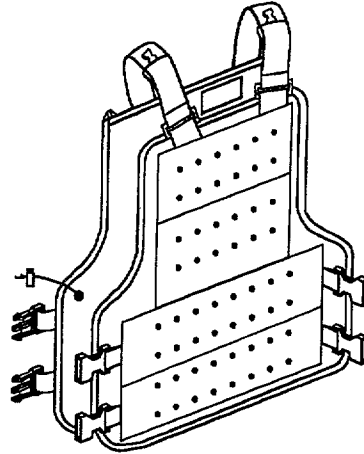
ASSAULT VEST SYSTEM COMPONENTS

NOMENCLATURE: Vest, Load Bearing,
Assault

NSN: 8470-01-444-5443

PART NUMBER: Z4311M

CAGE: 62283



DESCRIPTION AND FUNCTION

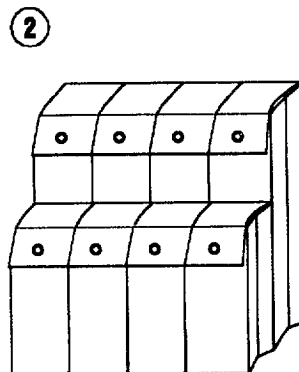
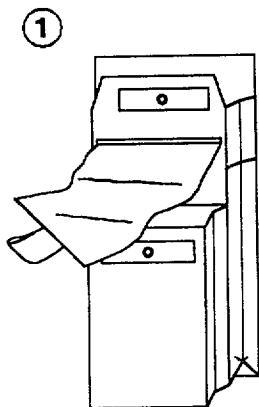
The Assault Load Bearing Vest provides a means of carrying mission equipment that allows evenly distributing loads. The modular design allows use of different pouches in varying locations to adapt to different assigned tasks, weapons, equipment and left or right handed individuals. May be worn over the Assault Body Armor. A quick-release feature allows rapid removal. It accepts a day pack in addition to a variety of ammunition, communications and utility pouches. Two accessory loops on the back are capable of carrying a 10 pound sledge hammer or hooligan tool. A drag handle is located on the back of the vest near the neck to assist in moving incapacitated Marines. Water resistant. Color olive drab. The Assault Load Bearing Vest is available in one size which can be adjusted to be used with the eight different sizes of the Assault Body Armor. One Assault Load Bearing Vest is supplied with each AVS.

TECHNICAL CHARACTERISTICS

Dimensions (overall)	16 in. (L) x 18 in. (W)
Material	1000 denier Cordura Nylon

ASSAULT VEST SYSTEM COMPONENTS

<u>ITEM</u>	<u>NOMENCLATURE</u>	<u>NSN</u>	<u>P/N</u>	<u>CAGE</u>
1	Magazine Pouch, Rifle and Pistol, P4	8470-01-444-8203	Z4311N	62283
2	Magazine Pouch, Rifle and Pistol, L7M	TBD	Z4311N-1	62283



DESCRIPTION AND FUNCTION

This single magazine pouch is designed to carry two rifle/sub-machine gun magazines (M16 or MP5) and two pistol magazines (9mm or .45 cal). Olive drab in color, flap secures with hook and pile, and snap. The rifle magazine flap may be removed for easier access to the magazines.

Note: Use Magazine Pouch, SMG and Pistol, L7M as a suitable substitute.

P4 MAGAZINE POUCH TECHNICAL CHARACTERISTICS

Dimensions (overall)	8 in. (L), 4 in. (W), 3 in. (H)
Material	1000 denier Cordura Nylon
Qty of Pouches	3 per AVS
9mm or .45 magazines per pouch	2
M16 or MP 5 magazines per pouch	2

L7M MAGAZINE POUCH TECHNICAL CHARACTERISTICS

This single magazine pouch is designed to carry four MP5 SMG magazines and four pistol magazines (9mm or .45 cal). Olive drab in color, flap secures with hook and pile, and snap.

Dimensions (overall)	8 in. (L), 8 in. (W), 3 in. (H)
Material	1000 denier Cordura Nylon
Qty of Pouches	1 per AVS
9mm or .45 magazines per pouch	4
MP5 magazines per pouch	4

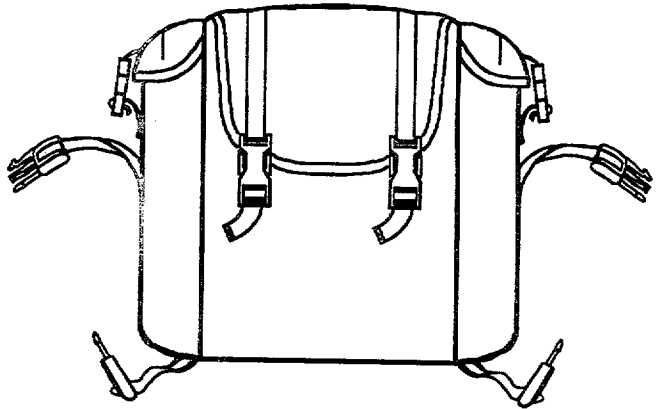
ASSAULT VEST SYSTEM COMPONENTS

NOMENCLATURE: Pack, Day

NSN: 8470-01-444-8380

PART NUMBER: Z4311K

CAGE: 62283



DESCRIPTION AND FUNCTION

The Day Pack is designed for use with the Assault Vest System. Attaches high on the back of the vest with four non-metallic quick-release snaps located on each of the four corners. The Day Pack and its attachment points have been tested to support a load of 30 pounds.

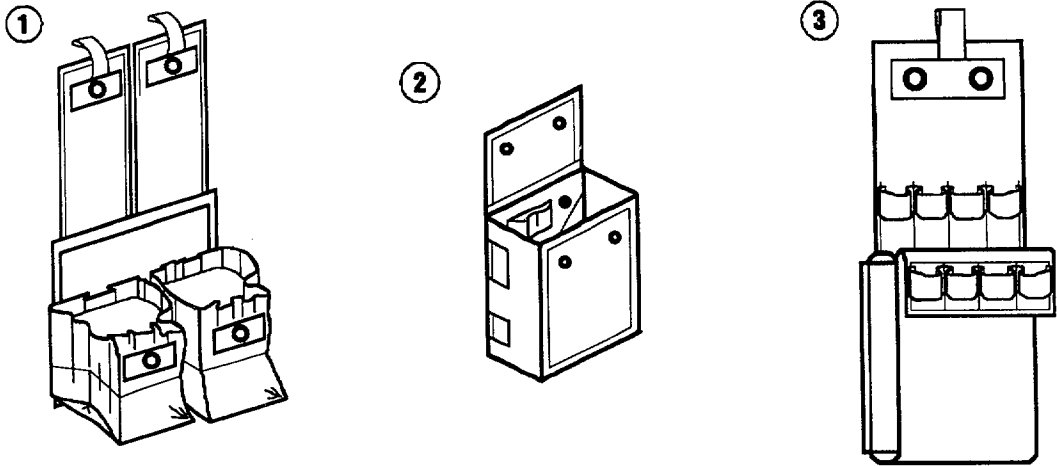
The Day Pack has one small and one large internal pocket. Two external pockets are located on the right and left side of the pack. The neck of the pack is protected with a waterproof flap that is closed by an elastic draw string. All flaps are secured with adjustable non-metallic quick-release fasteners. Color olive drab. One Day Pack is provided with each AVS.

TECHNICAL CHARACTERISTICS

Dimensions (overall)	14 in. (L), 15 in. (W), 7 in. (H)
Internal pocket	Qty 1; 13 in. (L), 10 in. (W), 5 in. (H)
External pockets	Qty 2; 12 in. (L), 3 in. (W), 5 in. (H)
Carrying Capacity	30 lbs
Material	1000 denier Cordura Nylon

ASSAULT VEST SYSTEM COMPONENTS

<u>ITEM</u>	<u>NOMENCLATURE</u>	<u>NSN</u>	<u>P/N</u>	<u>CAGE</u>
1	Pouch, Grenade, P7	8470-01-444-5442	Z43110	62283
2	Pouch, Comm Head Set, R4	8470-01-444-5440	Z4311Z	62283
3	Pouch, Shotgun Shell, P2	8470-01-444-5441	Z4311S	62283



DESCRIPTION AND FUNCTION

All of the pouches are designed for use with the Load Bearing Vest and are olive drab in color. Pouches are made from 1000 denier Cordura Nylon material. All flaps are secured with hook and pile, and snaps.

The grenade pouch carries two M67 fragmentation grenades, two M141 diversionary devices, or two AN-M8 smoke canisters.

The communications head set pouch carries the comm head set when not actually worn.

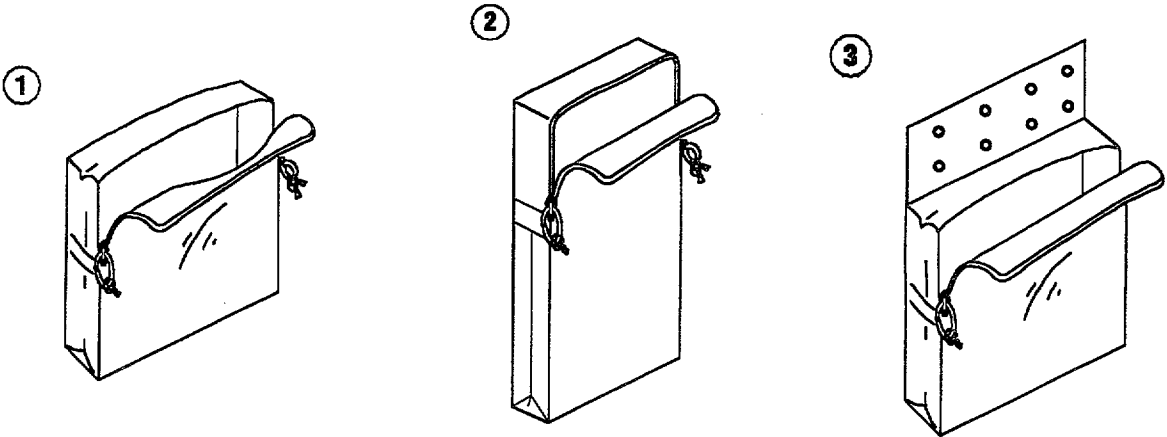
The shotgun shell pouch carries twenty-four 12-gauge shotgun shells.

TECHNICAL CHARACTERISTICS

Item 1 - Grenade Pouch	6 in. (L), 6 in. (W), 3 in. (H)
Qty	1 per AVS
Item 2 - Comm Head Set Pouch	6 in. (L), 4 in. (W), 2 in. (H)
Qty	1 per AVS
Item 3 - Shotgun Shell Pouch	8 in. (L), 4 in. (W), 1.5 in. (H)
Qty	As Required

ASSAULT VEST SYSTEM COMPONENTS

<u>ITEM</u>	<u>NOMENCLATURE</u>	<u>NSN</u>	<u>P/N</u>	<u>CAGE</u>
1	Pouch, Utility, P11	8470-01-444-5439	Z4311P	62283
2	Pouch, Less-Than-Lethal, P12	8470-01-444-5445	Z4311Q	62283
3	Pouch, Drop	8470-01-447-0196	Z4311T	62283



DESCRIPTION AND FUNCTION

All of the pouches are designed for use with the Assault Load Bearing Vest and are olive drab in color. There is one of each type of pouch provided with each AVS. All openings are secured with a zipper.

The utility pouch has one large, wide pocket.

The less-than-lethal pouch has one tall, narrow pocket and internal elastic loops to secure the expandable baton and flashlight found in the Individual Assault Kit.

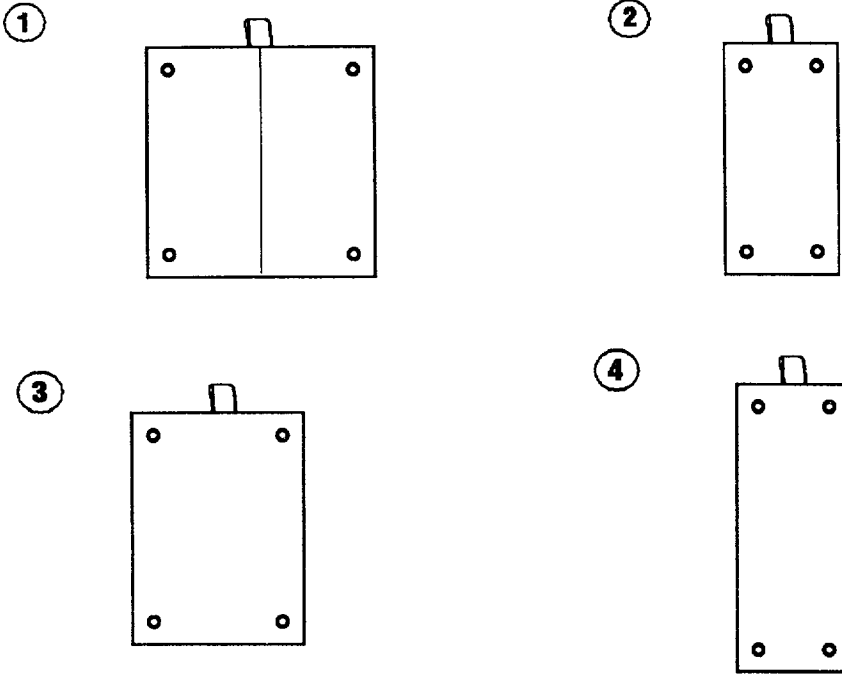
The drop pouch has a large, wide and deep pocket that features a six inch flap covered with hook and pile for attaching to the Assault Load Bearing Vest.

TECHNICAL CHARACTERISTICS

Qty	1 each per AVS
Item 1 - Utility Pouch	8 in. (L), 8 in. (W), 2 in. (H)
Material	1000 denier Condura Nylon
Item 2 - Less-Than-Lethal Pouch	8 in. (L), 4 in. (W), 1.5 in. (H)
Material	1000 denier Condura Nylon
Item 3 - Drop Pouch (overall)	14 in. (L), 8 in. (W), 3 in. (H)
Material	1000 denier Condura Nylon

ASSAULT VEST SYSTEM COMPONENTS

<u>ITEM</u>	<u>NOMENCLATURE</u>	<u>NSN</u>	<u>P/N</u>	<u>CAGE</u>
1	Blank Pad, P9A	8470-01-447-0198	Z4311V	62283
2	Blank Pad, P9B	8470-01-447-0197	Z4311W	62283
3	Blank Pad, P9X	8470-01-447-0199	Z4311X	62283
4	Blank Pad, P9Y	8470-01-447-0200	Z4311W1	62283



DESCRIPTION AND FUNCTION

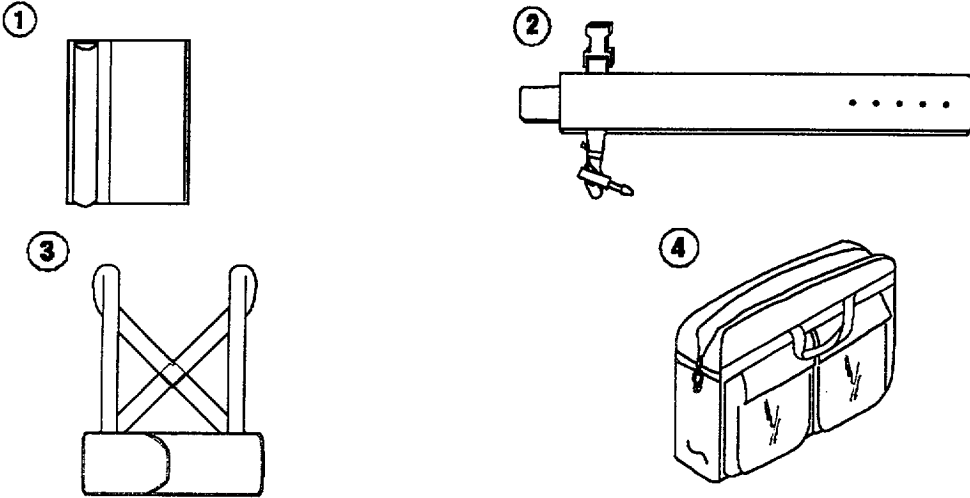
The blank pads are designed for use with the Assault Load Bearing Vest and are used to cover those areas of hook and pile not needed when customizing the vest for specific missions or personal preference. Pads are made from 1000 denier Cordura Nylon material. Items are olive drab in color and attach with hook and pile, and snaps.

TECHNICAL CHARACTERISTICS

Item 1 - Blank Pad	8 in. (L), 8 in. (W), Qty 1 per AVS
Item 2 - Blank Pad	8 in. (L), 4 in. (W), Qty 2 per AVS
Item 3 - Blank Pad	8 in. (L), 6 in. (W), Qty 1 per AVS
Item 4 - Blank Pad	10 in. (L), 4 in. (W), Qty 1 per AVS

ASSAULT VEST SYSTEM COMPONENTS

<u>ITEM</u>	<u>NOMENCLATURE</u>	<u>NSN</u>	<u>P/N</u>	<u>CAGE</u>
1	Weapon Butt Retention Pad	8470-01-447-0202	Z4311U-1	62283
2	Tactical Scabbard, P15	8470-01-447-1348	Z4311R	62283
3	Back Support Harness	TBD	Z4311Z-1	62283
4	Carrying Case, AVS	8470-01-447-0201	MC0005	62283



DESCRIPTION AND FUNCTION

The Weapon Butt Retention Pad, Tactical Scabbard, Back Support Harness, and Carrying Case are designed for use with the Assault Load Bearing Vest and are all made from 1000 denier Cordura Nylon material. They are olive drab in color.

The Weapon Butt Retention Pad (Model S-8M) is used to provide a non-slip surface for the butt of the rifle when firing from the shoulder position. A raised surface along the outer edge assists in preventing the weapon butt from sliding off the pad. It attaches with hook and pile, and snaps.

The Tactical Scabbard (P15) attaches to the back of the vest and is used to carry a variety of items, i.e., shotgun, hooligan tool, etc. It attaches with hook and pile, and snaps.

The Back Support Harness (Model 48411) is used to provided support to the back when wearing assault vest equipment for extended periods of time.

The Carrying Case is used to store and transport one complete AVS. The two large size pockets are secured with hook and pile and the top and side are secured by zippers.

TECHNICAL CHARACTERISTICS

- Item 1 - Weapon Butt Retention Pad 8 in. (L), 8 in. (W), 1.5 in. (H); Qty 1 per AVS
- Item 2 - Tactical Scabbard 28 in. (L), 5 in. (W), 2.5 in. (H); Qty As Required
- Item 3 - Back Support Harness 8 in. (L), 8 in. (W), 1.5 in. (H); Qty As Required
- Item 4 - Carrying Case 20 in. (L), 24 in. (W), 8 in. (H); Qty 1 per AVS

CHAPTER 4
INDIVIDUAL ASSAULT KIT

INDIVIDUAL ASSAULT KIT

TAMCN: K4494 IIE
P/N: 95002A0011

NSN: 8465-01-419-7140
CAGE: 01365

ID: 10239A
SAC: 1

DESCRIPTION AND FUNCTION

The Individual Assault Kit (IAK) is a collection of items consisting of climbing equipment, individual protective equipment, personnel restraining devices, utility equipment, and load bearing equipment designed and configured for Close Quarters Battle (CQB) missions.

TECHNICAL CHARACTERISTICS

Dimensions 24 in. (L), 18 in. (W), 22 in. (H)
 Square 3.0 sqft
 Cube 5.5 cuft
 Weight 25 lbs (notional)

NOTE

The Individual Assault Kit is not available for procurement in kit form by using the NSN. However, the IAK may be procured using part number: TSS-IAK01 and CAGE code number: 0UWS0. When ordering, specify assault belt size (S, M, L), pistol magazine pouch type (9mm or .45 caliber), assault holster type (9mm or .45 caliber and left or right handed), and rope bag and static rope (as required). Refer to pages 4-5 through 4-28 for technical characteristics of individual components.

MAJOR COMPONENTS

<u>NOMENCLATURE</u>	<u>U/I</u>	<u>QTY</u>	<u>NOMENCLATURE</u>	<u>U/I</u>	<u>QTY</u>
CLIMBING EQUIPMENT:			UTILITY EQUIPMENT:		
Ascender	PR	1	Bag, Tool, Satchel	EA	1
Descender	EA	1	Flashlight, High Intensity	EA	1
Carabiner, Omega	EA	5	Adapter, Flashlight	EA	1
Carabiner, Locking	EA	2	Assembly, Lamp, 9 volt	EA	1
Etriers	PR	1	Battery, Nonrechargeable	EA	8
Harness, Chest	EA	1	Battery, Rechargeable, Ni-Cd	EA	1
Harness, Varioc-sit	EA	1	Charger, Battery 115 Vac	EA	1
Pulley Assembly	EA	2	Infrared Filter	EA	1
Rope, Nylon, 9/32"	EA	1	Scabbard, Flashlight	EA	1
Bag, Rope	EA	AR	Kit Bag, Flyers	EA	1
Rope, Static, 7/16"	EA	AR	Light Marker, Distress	EA	1
INDIVIDUAL PROTECTIVE EQUIPMENT:			Battery, Nonrechargeable	EA	1
Aural Protector, Sound	EA	1	Filter, Signal Light	EA	1
Glasses, Range	EA	1	Flashguard	EA	1
Goggles, Ballistic	EA	1	Tool, Survival, Multipurpose	EA	1
Gloves, Welders	PR	1	Wedge, Door	EA	5
Helmet, Assault	EA	1	PERSONNEL RESTRAINING DEVICES:		
Pads, Elbow	PR	1	Baton, Collapsible	EA	1
Pads, Knee	PR	1	Scabbard, Baton	EA	1
LOAD BEARING EQUIPMENT:			Strap Kit, Involuntary	KT	1
Belt, Assault	EA	1			
Holster, Assault	EA	1			
Pouch, Magazine, Pistol	EA	2			
Pouch, Magazine, SMG	EA	1			

REFERENCES

LAP NO: 39-92, Letter of Adoption and Procurement, Parts 1 and 2 for the Individual Assault Kit
 ULSS-003992-15, User's Logistic Support Summary Individual Assault Kit, NSN 8465-01-419-7140

INDIVIDUAL ASSAULT KIT (Continued)

SPECIFIC INSTRUCTIONS

Organizational maintenance is necessary and is performed by the owning/using unit. All maintenance will be in accordance with appropriate Technical Manuals and the manufacturer's instructions, where applicable. Organizational maintenance includes proper care, cleaning, and storage of IAK components. Regular care and cleaning is required to ensure serviceability and accountability. Particular attention should be paid to the climbing/rappel equipment to assure serviceability and user safety.

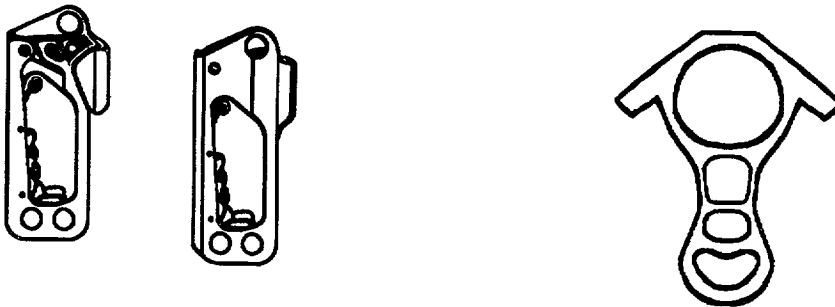
Repair of IAK components is limited to the replacement of unserviceable items. The nature of some of the IAK equipment and its intended use preclude repairs.

Intermediate and Depot Level maintenance is not required.

Disposal of unserviceable items (SAC1) will be in accordance with local directives and procedures.

**INDIVIDUAL ASSAULT KIT
CLIMBING EQUIPMENT COMPONENTS**

<u>NOMENCLATURE</u>	<u>NSN</u>	<u>P/N</u>	<u>CAGE</u>
Ascender	8465-01-415-5135	091-ULTAS01	66165
Descender	8465-01-364-0257	PPD	OEUP8



DESCRIPTION AND FUNCTION

The Ascender is used to assist in climbing up a kernmantle rope. They are aluminum hand-held devices that are clamped around the rope and are moved alternately up the rope. The weight of the climber holds the Ascender in position. The Ascenders are used in conjunction with the Etriers. One pair of Ascenders (left and right) is provided with each Individual Assault Kit.

The Descender is used to descend a rappelling line. Charcoal in color. One Descender is provided with each Individual Assault Kit.

ASCENDER TECHNICAL CHARACTERISTICS

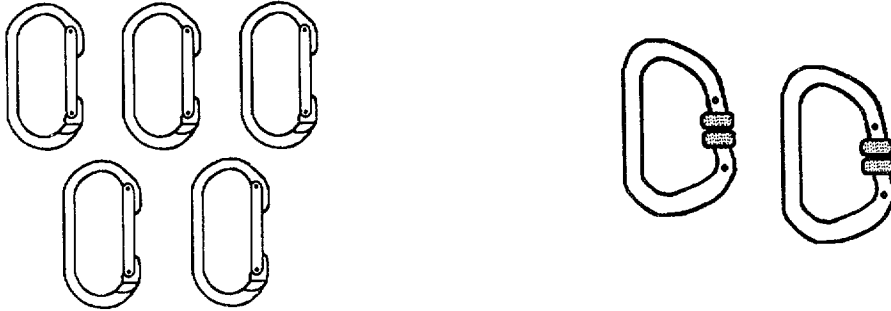
Dimensions	7.5 in. (L), 3 in. (W), 1 in. (H)
Material	Aluminum
Weight	9 oz
Tensile Strength	5000 lbs
Maximum Size Rope	5/8 in. dia

DESCENDER TECHNICAL CHARACTERISTICS

Dimensions	6.75 in. (L), 6 in. (W), 0.5 in. (H)
Material	Alloy Aluminum
Weight	7.6 oz
Tensile Strength	7,000 lbs

**INDIVIDUAL ASSAULT KIT
CLIMBING EQUIPMENT COMPONENTS**

<u>NOMENCLATURE</u>	<u>NSN</u>	<u>P/N</u>	<u>CAGE</u>
Carabiner, Omega	8465-01-415-5137	OMEGA OVAL	78848
Carabiner, Locking, Modified	8465-01-415-5134	MD716S3-5	78848



DESCRIPTION AND FUNCTION

The Omega Carabiner is used to secure rappelling accessory items when climbing/ rappelling. Black in color. Five non-locking Omega Carabiners are provided with each Individual Assault Kit.

The Locking Carabiner is used to secure the Descender to the Climbing Harness. Includes a locking feature. Black in color. Two Locking Carabiners are provided with each Individual Assault Kit.

OMEGA CARABINER TECHNICAL CHARACTERISTICS

Dimensions	4.1 in. (L), 2.1 in. (W), 0.43 in. thk
Material	Aluminum
Weight	2.2 oz
Gate strength	4,400 lbs (Closed)
Gate opening	0.7 in.

LOCKING CARABINER TECHNICAL CHARACTERISTICS

Dimensions	0.45 in. thk
Material	Steel
Weight	7.5 oz
Gate strength	11,000 lbs (Closed)
Gate opening	0.7 in.

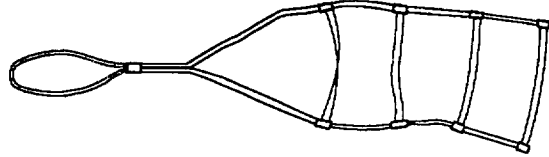
**INDIVIDUAL ASSAULT KIT
CLIMBING EQUIPMENT COMPONENTS**

NOMENCLATURE: Etriers

NSN: TBD

PART NUMBER: Etriers

CAGE: 66165



DESCRIPTION AND FUNCTION

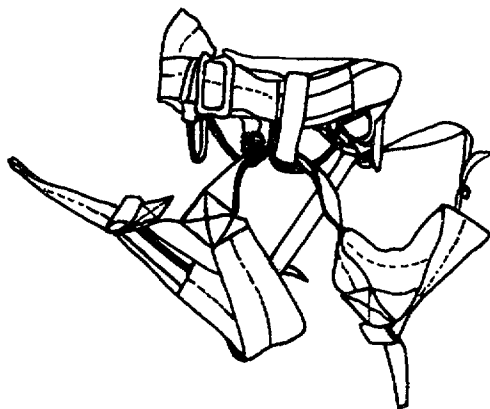
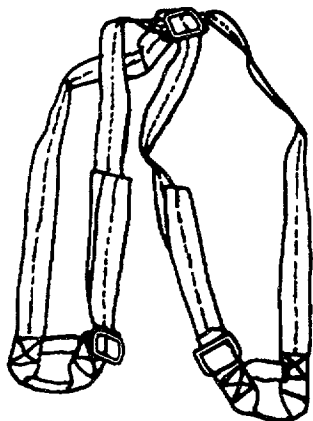
Used to provide a foothold while ascending a rope. Made of high strength one inch tubular nylon webbing. Black in color. Four steps. Two Etriers are provided with each Individual Assault Kit.

TECHNICAL CHARACTERISTICS

Dimensions	1 in.
Material	Nylon
Weight	4 oz
Strength	4000 lbs

**INDIVIDUAL ASSAULT KIT
CLIMBING EQUIPMENT COMPONENTS**

<u>NOMENCLATURE</u>	<u>NSN</u>	<u>P/N</u>	<u>CAGE</u>
Harness, Chest	TBD	K474-115	52403
Harness, Vario-Sit	8465-01-415-5136	650067	0SZC3



DESCRIPTION AND FUNCTION

The Chest Harness is used for tactical climbing and rappelling. Designed to keep the climber upright while suspended from a rope or to prevent a climber from falling out of the climbing harness when conducting an inverted descent. Black in color. One size fits all. One Chest Harness is provided with each Individual Assault Kit.

The Vario-sit Harness is used for tactical climbing and rappelling. Made from nylon webbing with a padded waistband. Black in color. One size fits all. One Vario-sit Harness is provided with each Individual Assault Kit.

CHEST HARNESS TECHNICAL CHARACTERISTICS

Material 2 in. nylon webbing
 Strength 2,200 lbs

VARIO-SIT HARNESS TECHNICAL CHARACTERISTICS

Material 1-3/4 in. nylon webbing
 Strength 3,500 lbs

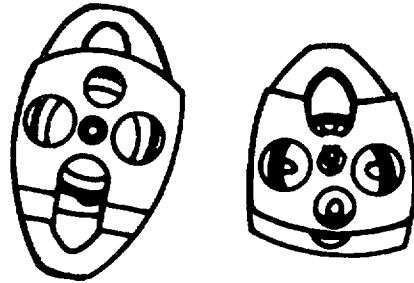
INDIVIDUAL ASSAULT KIT CLIMBING EQUIPMENT COMPONENTS

NOMENCLATURE: Pulley Assembly

NSN: 3020-01-411-1132

PART NUMBER: RP103MOD

CAGE: 66165



DESCRIPTION AND FUNCTION

Used to lift or lower a climber or a load. Accepts ropes up to 5/8 inch in diameter. Sealed bearings. Black in color. Two Pulley Assemblies are provided with each Individual Assault Kit.

TECHNICAL CHARACTERISTICS

Dimensions	4.25 in. (L), 3.25 in. (W), 1.5 in. (H)
Material	Aluminum
Weight	7 oz
Rated Capacity	5,000 lbs

**INDIVIDUAL ASSAULT KIT
CLIMBING EQUIPMENT COMPONENTS**

NOMENCLATURE: Rope, Nylon, 9/32"

NSN: 4020-01-400-5864

PART NUMBER: RBAC07

CAGE: 66165



DESCRIPTION AND FUNCTION

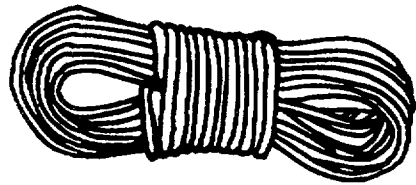
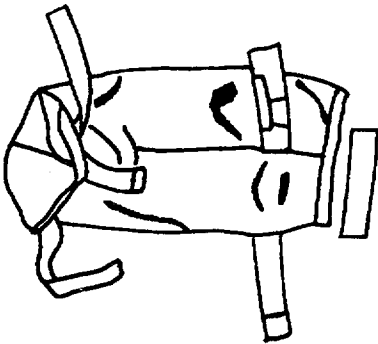
Used to provide individual connections and knots to the other climbing components and the main rappelling line. Color black. An eight-foot length is provided with each Individual Assault Kit.

TECHNICAL CHARACTERISTICS

Diameter	9/32 in.
Material	Nylon cord
Length	8 ft
Rated Capacity	5,000 lbs

**INDIVIDUAL ASSAULT KIT
CLIMBING EQUIPMENT COMPONENTS**

<u>NOMENCLATURE</u>	<u>NSN</u>	<u>P/N</u>	<u>CAGE</u>
Bag, Rope Rope, Static, 7/16"	TBD 4020-01-411-9053	10-AT76 30-AT367	OTC88 66165



DESCRIPTION AND FUNCTION

The Rope Bag is used to store and transport the static rope. The rope bag can be secured to the climber's leg with hook and pile straps (Velcro) or the climber's shoulder with a shoulder strap.

The Static Rope is used for rappelling. Black in color.

NOTE

The Static Rope and the Rope Bag are maintained by the Using Unit on an "As Required" basis.

ROPE BAG TECHNICAL CHARACTERISTICS

Dimensions	19.5 in. (L), 8 in. (W), 5.5 in. (H)
Material	Nylon/Canvas

STATIC ROPE TECHNICAL CHARACTERISTICS

Diameter	7/16 in.
Material	Static Kernmantle
Length	125 ft
Tensile Strength	5,500 lbs

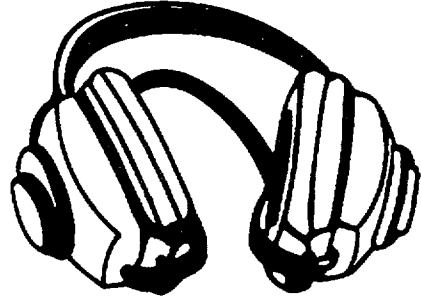
**INDIVIDUAL ASSAULT KIT
INDIVIDUAL PROTECTIVE EQUIPMENT COMPONENTS**

NOMENCLATURE: Aural Protector, Sound

NSN: 4240-00-022-2946

PART NUMBER: M38268-2

CAGE: 81349



DESCRIPTION AND FUNCTION

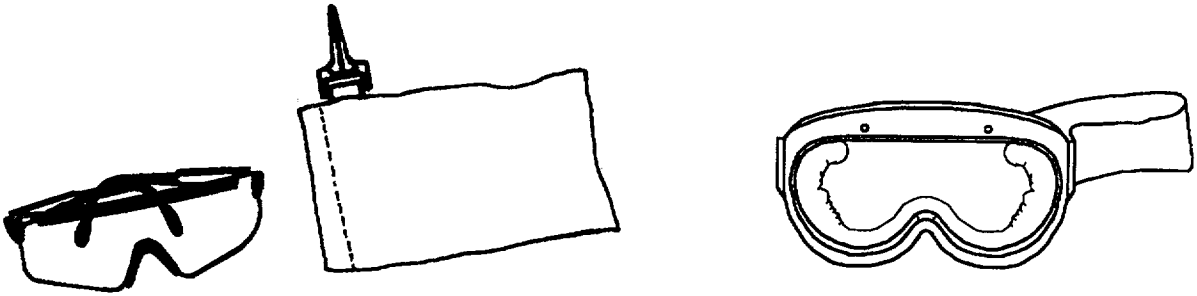
Encloses the ears to provide personal hearing protection. A single size fits all individual's head and ears. Adjustable head band. May be worn with spectacles. Includes an adjustable support strap for stabilizing the protectors when they are worn in other than the over the head position. Strap may be positioned over the head, on the back of the head or under the chin. An extra set of sound seals are provided. One pair of protectors is provided with each Individual Assault Kit. These protectors conform to MIL-P-38268.

TECHNICAL CHARACTERISTICS

Sound Attenuation at 125 and 250 Hz	25 dB minimum (Test Value)
Sound Attenuation at 500 and 4,000 Hz	157 dB minimum (Test Value)
Sound Attenuation at 8,000 Hz	58 dB minimum (Test Value)
Specification/Standard Data	Type II

**INDIVIDUAL ASSAULT KIT
INDIVIDUAL PROTECTIVE EQUIPMENT COMPONENTS**

<u>NOMENCLATURE</u>	<u>NSN</u>	<u>P/N</u>	<u>CAGE</u>
Glasses, Range w/Case	Refer To Chart Below	5340E-1563	OS7V7
Goggles, Ballistic	TBD	004-X500-T	OUWSO
Applique, Anti-Fog	TBD	1220-CVX1	OUWSO



DESCRIPTION AND FUNCTION

Range Glasses protect the eyes from muzzle blast products and similar hazards. These glasses can provide limited protection from flying debris, blast and fragmentation. Lenses are available in clear, smoke, and yellow polycarbonate; frame and nose piece are black. One pair of Range Glasses with clear lenses is provided with each Individual Assault Kit.

Ballistic Goggles provide protection for the eyes when explosives are being used. Key features include a double molded lightweight lens that is anti-scratch, anti-fogging, and a flexible frame and adjustable head band. One pair of ballistic polycarbonate goggles, size large, is provided with each Individual Assault Kit.

The Anti-Fog Applique (not pictured) is a thin polycarbonate anti-fog shield that attaches directly to the inside lens's surface of the Ballistic Goggles. Quantity, as required.

RANGE GLASSES SPARE LENSES

<u>LENS COLOR</u>	<u>NSN</u>	<u>P/N</u>
Clear	TBD	PC SHOOTING WRAP TACTICAL 2.5 - 16
Smoke	TBD	PC SHOOTING WRAP TACTICAL 2.5 - 15
Yellow	TBD	PC SHOOTING WRAP TACTICAL 2.5 - 13

BALLISTIC GOGGLES SPARE LENS

<u>LENS COLOR</u>	<u>NSN</u>	<u>P/N</u>
Clear	TBD	004-301

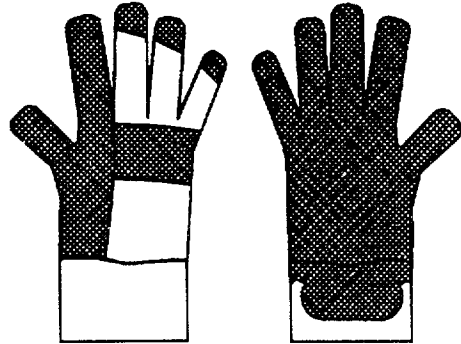
**INDIVIDUAL ASSAULT KIT
INDIVIDUAL PROTECTIVE EQUIPMENT COMPONENTS**

NOMENCLATURE: Gloves, Welders'

NSN: 8415-00-268-7859

PART NUMBER: A-A-50022

CAGE: 58536



DESCRIPTION AND FUNCTION

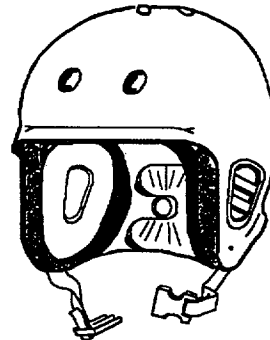
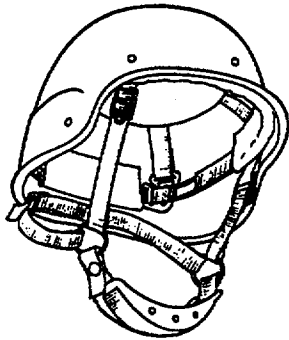
Protects the hands from burns during Fast Rope/Rappelling operations. A cuff and gauntlet provide additional protection. Fabricated from leather. Light gray in color. One pair of Welders' Gloves, size large, is provided with each Individual Assault Kit.

TECHNICAL CHARACTERISTICS

Material Leather
Size Large

**INDIVIDUAL ASSAULT KIT
INDIVIDUAL PROTECTIVE EQUIPMENT COMPONENTS**

<u>NOMENCLATURE</u>	<u>NSN</u>	<u>P/N</u>	<u>CAGE</u>
Helmet, Assault	Refer To Chart Below	Refer To Chart Below	81349
Helmet, Non-Ballistic	Not Applicable	Refer To Chart Below	OUWSO



DESCRIPTION AND FUNCTION

ASSAULT HELMET

Protects the head from blunt force impact and ballistic injury. Olive drab in color. One Assault Helmet is provided with each Individual Assault Kit.

The Suspension Replacement Kit (pictured w/ helmet) is made with foam padding and has a plastic chin cup. It attaches to the helmet at three points. Olive drab and black in color. One Suspension Replacement Kit is provided with each Assault Helmet.

TECHNICAL CHARACTERISTICS

<u>SIZE</u>	<u>NSN</u>	<u>P/N</u>	<u>CAGE</u>
Helmet, Small	8470-01-092-7526	MIL-H-44099	81349
Helmet, Medium	8470-01-092-7527	MIL-H-44099	81349
Helmet, Large	8470-01-092-7528	MIL-H-44099	81349
Suspension Replacement Kit	TBD	742-100	OUWSO

NON-BALLISTIC HELMET

WARNING

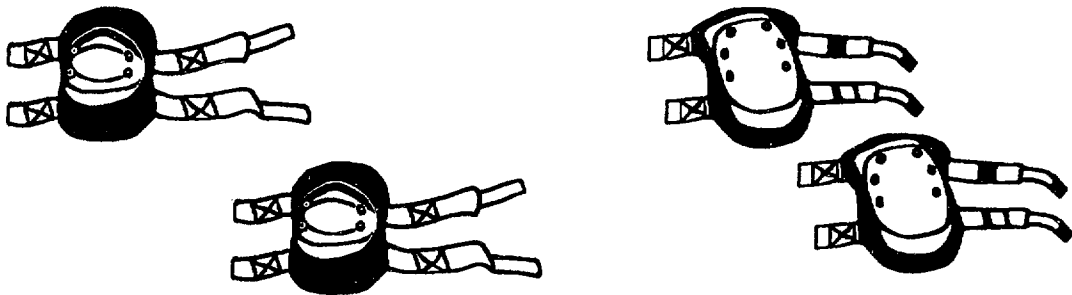
The Non-Ballistic Helmet provides *bump protection* only and does not meet established DOT standards for impact protection nor does it provide protection from munitions.

Black in color. Requisition on an As Required basis.

<u>SIZE</u>	<u>HELMET P/N</u>	<u>LINER P/N</u>	<u>CAGE</u>
Small	059-100-S	059-101-S	OUWSO
Medium	059-100-M	059-101-M	OUWSO
Large	059-100-L	059-101-L	OUWSO
X-Large	059-100-XL	059-101-XL	OUWSO

**INDIVIDUAL ASSAULT KIT
INDIVIDUAL PROTECTIVE EQUIPMENT COMPONENTS**

<u>NOMENCLATURE</u>	<u>NSN</u>	<u>P/N</u>	<u>CAGE</u>
Pads, Elbow	TBD	53010	OUWS0
Pads, Knee	TBD	50410	OUWS0



DESCRIPTION AND FUNCTION

Provides impact and abrasion protection to the elbows and knees during crawling, rolling, falling and prone firing. Black in color. Made from nylon with plastic contoured cap padding. Secured with two elastic and velcro straps. One size fits all. One pair each, Elbow Pads and Knee Pads, is provided with each Individual Assault Kit.

TECHNICAL CHARACTERISTICS

Size One size

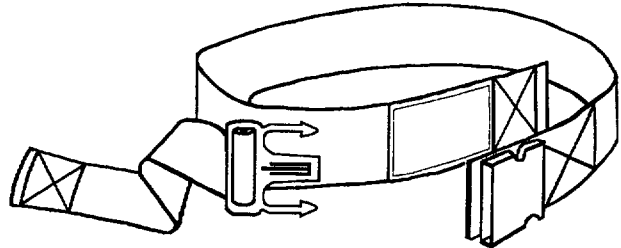
**INDIVIDUAL ASSAULT KIT
LOAD BEARING EQUIPMENT COMPONENTS**

NOMENCLATURE: Belt, Assault

NSN: Refer To Chart Below

PART NUMBER: Refer To Chart Below

CAGE: OUWSO



DESCRIPTION AND FUNCTION

Includes a large Fastex buckle/Velcro double security lock. Constructed from two inch wide, double-layer nylon webbing for stiffness, lightweight, and durability. The Assault Belt also has a lock down buckle adjustment strap to prevent slipping. Black in color. One Assault Belt is provided with each Individual Assault Kit.

TECHNICAL CHARACTERISTICS

<u>SIZE</u>	<u>LENGTH</u>	<u>P/N</u>	<u>NSN</u>
Small	26 - 31 in.	041-DB-SMALL	TBD
Medium	32 - 37 in.	041-DB-MEDIUM	TBD
Large	38 - 43 in.	041-DB-LARGE	TBD

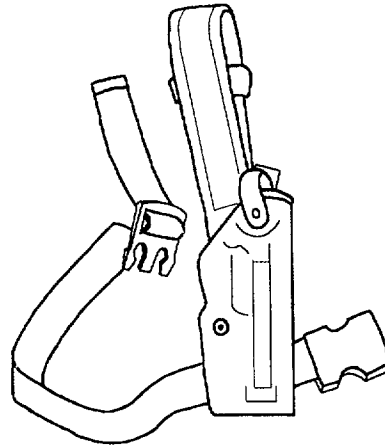
**INDIVIDUAL ASSAULT KIT
LOAD BEARING EQUIPMENT COMPONENTS**

NOMENCLATURE: Holster, Assault

NSN: Refer To Chart Below

PART NUMBER: Refer To Chart Below

CAGE: OEZ72



DESCRIPTION AND FUNCTION

The standard Assault Holster accepts a large frame pistol without a tactical light. Designed for tactical operations, the holster includes an internal tension device and a thumb break with a rotating hammer strap. The holster also has a lightweight leg harness which includes an elastic strap and molded snap mechanism. The color of the holster is black with a subdued finish. One Assault Holster is provided with each Individual Assault Kit. **NOTE:** State the make and model number of the pistol when ordering the Assault Holster.

ROTATING HAMMER STRAP HOLSTER TECHNICAL CHARACTERISTICS

<u>PISTOL (for)</u>	<u>MOUNTING</u>	<u>P/N</u>	<u>NSN</u>
Beretta 92F (9mm)	Right Handed	3004-73-161	TBD
Beretta 92F (9mm)	Left Handed	3004-73-162	TBD
Colt 1911 (.45 cal)	Right Handed	3004-53-161	TBD
Colt 1911 (.45 cal)	Left Handed	3004-53-162	TBD

STANDARD HAMMER STRAP HOLSTER SUITABLE SUBSTITUTES

<u>PISTOL (for)</u>	<u>MOUNTING</u>	<u>P/N</u>	<u>NSN</u>
Beretta 92F (9mm)	Right Handed	3005-73-161	TBD
Beretta 92F (9mm)	Left Handed	3005-73-162	TBD
Colt 1911 (.45 cal)	Right Handed	3005-53-161	TBD
Colt 1911 (.45 cal)	Left Handed	3005-53-162	TBD

MOUNTED TACTICAL LIGHT HOLSTER SUITABLE SUBSTITUTES

<u>PISTOL (for)</u>	<u>MOUNTING</u>	<u>P/N</u>	<u>NSN</u>
Colt 1911 (.45 cal)	Right Handed	3004-536-161	TBD
Colt 1911 (.45 cal)	Left Handed	3004-536-162	TBD

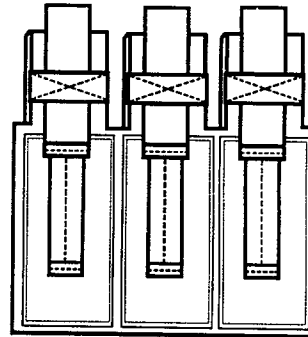
**INDIVIDUAL ASSAULT KIT
LOAD BEARING EQUIPMENT COMPONENTS**

NOMENCLATURE: Pouch, Magazine, Pistol

NSN: Refer To Chart Below

PART NUMBER: Refer To Chart Below

CAGE: 0UWS0



DESCRIPTION AND FUNCTION

Holds three pistol magazines. The magazine pouches are designed so that they may be worn in an inverted position when also wearing the Assault Vest System. The pouch flaps are held open with Velcro style hook and loop fasteners. Pouches are made from 500 denier Cordura Nylon material, interlined with heat moldable hawk plastic. Black in color. Two Pistol Magazine Pouches are provided with each Individual Assault Kit.

TECHNICAL CHARACTERISTICS

<u>POUCH (FOR)</u>	<u>P/N</u>	<u>NSN</u>
Beretta 92F (9mm)	041-DMP-3-FB (9MM)	TBD
Colt 1911 (.45 cal)	041-DMP-3-FB (.45 CAL)	TBD

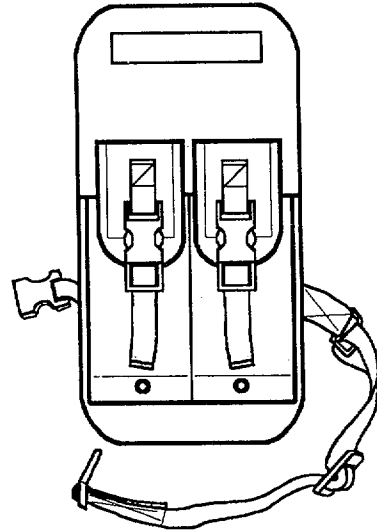
**INDIVIDUAL ASSAULT KIT
LOAD BEARING EQUIPMENT COMPONENTS**

NOMENCLATURE: Pouch, Magazine, SMG

NSN: TBD

PART NUMBER: M-16-L

CAGE: 8J931



DESCRIPTION AND FUNCTION

Holds either two M16 or four MP-5 magazines. Pouch is made from 420 denier Cordura Nylon material. Olive drab in color. One SMG Magazine Pouch is provided with each Individual Assault Kit. **NOTE:** Color must be specified when ordering.

TECHNICAL CHARACTERISTICS

Material Cordura Nylon

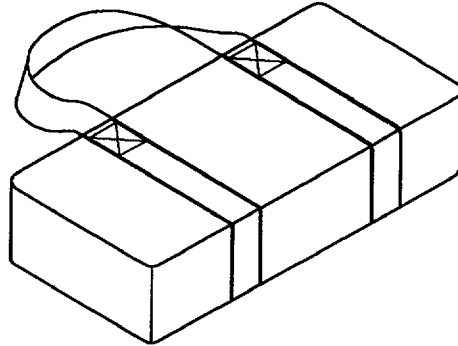
**INDIVIDUAL ASSAULT KIT
UTILITY EQUIPMENT COMPONENTS**

NOMENCLATURE: Bag, Tool, Satchel

NSN: 5140-00-473-6256

PART NUMBER: 11655979

CAGE: 34623



DESCRIPTION AND FUNCTION

Used to store and transport various components of the Individual Assault Kit. Salient features include two pockets, zipper closure, and two nylon webbing handles. Constructed from heavy cotton duck fabric. Conforms to Type I of MIL-B-43663. One Satchel Tool Bag is provided with each Individual Assault Kit.

TECHNICAL CHARACTERISTICS

Dimensions	19-1/2 in. (L), 6 in.(W), 8-1/2 in. (H)
Material	Nylon Duck
Drawings	Conforms to U.S. Army Natick Research, Development, and Engineering Center Drawing 2-3-219

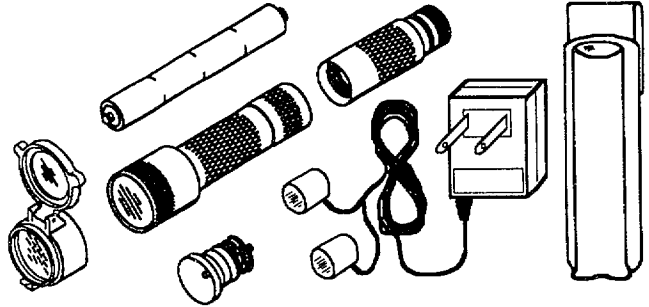
**INDIVIDUAL ASSAULT KIT
UTILITY EQUIPMENT COMPONENTS**

NOMENCLATURE: Flashlight,
High Intensity

NSN: TBD

PART NUMBER: 008-6R

CAGE: 0UWS0



DESCRIPTION AND FUNCTION

Uses a high intensity 50 lumen Xenon lamp. Operates by activating a push button located at the rear of the unit. The internal battery is rechargeable. The aluminum case is sealed against water entry with O-rings. Includes a nickel cadmium (NiCad) rechargeable battery and 115 Vac battery charger. The flashlight may be upgraded to produce a stronger light beam (105 lumens) by adding the 1-1/4 inch extension adapter and the 9 volt lamp assembly listed in the associated components section below. One High Intensity Flashlight, along with the Associated Components listed below, is provided with each Individual Assault Kit.

TECHNICAL CHARACTERISTICS

Length 6.85 in.
Weight 7.6 oz

MAJOR COMPONENTS

<u>NOMENCLATURE</u>	<u>U/M</u>	<u>QTY</u>	<u>P/N</u>	<u>CAGE</u>	<u>NSN</u>
Battery, Non-rechargeable	EA	8	BA5123/U	80058	6135-01-351-1131
Battery, Rechargeable	EA	1	008-B65	0UWS0	TBD
Charger, Battery 115 Vac	EA	1	008-C60	0UWS0	TBD

ASSOCIATED COMPONENTS

<u>NOMENCLATURE</u>	<u>U/M</u>	<u>QTY</u>	<u>P/N</u>	<u>CAGE</u>	<u>NSN</u>
Adapter, Flashlight	EA	1	008-A19	0UWS0	TBD
Assembly, Lamp 9 volt	EA	1	008-P90	0UWS0	TBD
Infrared Filter	EA	1	008-F16	0UWS0	TBD
Scabbard, Flashlight	EA	1	008-V11	0UWS0	TBD

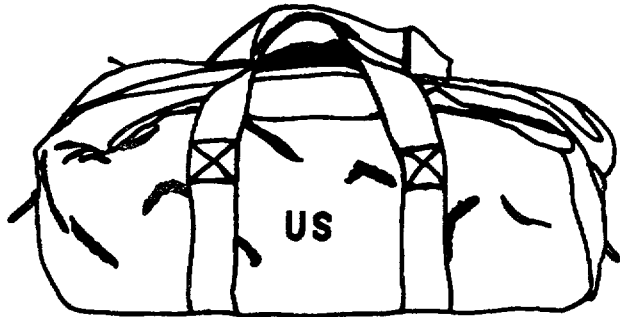
**INDIVIDUAL ASSAULT KIT
UTILITY EQUIPMENT COMPONENTS**

NOMENCLATURE: Kit Bag, Flyers

NSN: 8460-00-606-8366

PART NUMBER: MIL-K-41835

CAGE: 81349



DESCRIPTION AND FUNCTION

Fabricated from a rip-stop nylon fabric. Color green. Features a zipper closure. Handle is formed from nylon webbing. One Flyers Kit Bag is provided with each Individual Assault Kit.

TECHNICAL CHARACTERISTICS

Dimensions 24 in. (L), 14 in. (W), 20 in. (H)

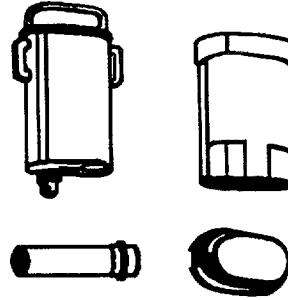
**INDIVIDUAL ASSAULT KIT
UTILITY EQUIPMENT COMPONENTS**

NOMENCLATURE: Light Marker, Distress

NSN: 6230-00-067-5209

PART NUMBER: MIL-L-38217

CAGE: 81349



DESCRIPTION AND FUNCTION

Intended for signaling for rescue. Provides a high intensity white signal light visible for a minimum of 5 miles. Water resistant. A push on, push off switch is located in the bottom of the unit. The unit has a clear lens, and an orange plastic case. A fabric case allows attachment to the user. Conforms to MIL-L-38217. Battery and associated components must be reordered separately. The filter is snapped onto the light to provide an infrared signal light that is not visible without the use of night vision equipment. The filter is made from plastic. The flashguard is installed by snapping it onto the light. The flashguard provides a blue light that is only visible from one direction to facilitate signaling and rescue in a hostile area. The blue light is easily distinguished from weapon muzzle flashes. A quantity of one each light, battery, flashguard and filter are provided in each Individual Assault Kit.

TECHNICAL CHARACTERISTICS

Light Marker Distress

Size 4-1/2 in. lg, 2 in. w, 1 in. h
 Weight 8 oz. with battery
 Flash Rate 40-60 flashes per minute
 Light Output 100,000 peak lumens per flash
 Visibility 5 miles minimum
 Duration 9 hours continuous
 18 hours intermittent

Filter, Signal Light Infrared

2-1/4 in. lg, 1-3/10 in. w, 6/10 in. h

Guard, Flash

3-3/8 in. lg, 2-3/8 in. w, 1-1/4 in. h
 Lens Color, Blue

Battery, Nonrechargeable

5 Volt
 Type Mercury

MAJOR COMPONENTS

<u>NOMENCLATURE</u>	<u>U/I</u>	<u>QTY</u>	<u>NOMENCLATURE</u>	<u>U/I</u>	<u>QTY</u>
Light, Marker, Distress	EA	1	Fabric Attachment Case	EA	1

ASSOCIATED COMPONENTS

<u>NOMENCLATURE</u>	<u>U/I</u>	<u>QTY</u>	<u>P/N</u>	<u>CAGE</u>	<u>NSN</u>
Filter, Signal Light, Infrared	EA	1	MXU-507E	98750	6210-00-783-5713
Guard, Flash	EA	1	FG1C	18560	6230-00-401-2285
Battery, Non-rechargeable	EA	1	BA-1574/U	90303	6135-00-073-8939

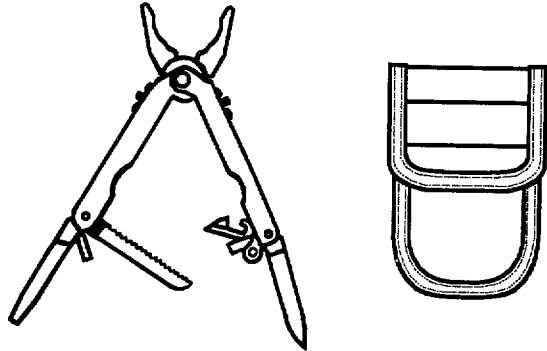
**INDIVIDUAL ASSAULT KIT
UTILITY EQUIPMENT COMPONENTS**

NOMENCLATURE: Tool, Survival,
Multipurpose

NSN: 5110-01-346-5341

PART NUMBER: 55860

CAGE: ORAU7



DESCRIPTION AND FUNCTION

A multipurpose 7-blade tool that is useful in a variety of situations. Functions include needle nose pliers, wire cutter, drop point and serrated knife blades, utility blade with wire stripper, bottle opener, can opener, large, medium and small flat blade screwdrivers, phillips screwdriver, three (3) inch measuring scale and lanyard attachment ring. Stainless steel with black oxide finish. Nylon or leather sheath features a snap closure and belt loop. One Multipurpose Survival Tool is provided with each Individual Assault Kit.

TECHNICAL CHARACTERISTICS

Length	4-3/8 in. closed
Weight	8 oz.

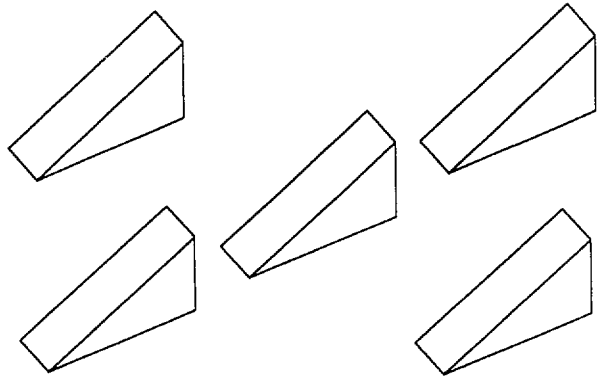
**INDIVIDUAL ASSAULT KIT
UTILITY EQUIPMENT COMPONENTS**

NOMENCLATURE: Wedge, Door

NSN: 5340-00-907-8277

PART NUMBER: B42DOORWEDGE

CAGE: 83104



DESCRIPTION AND FUNCTION

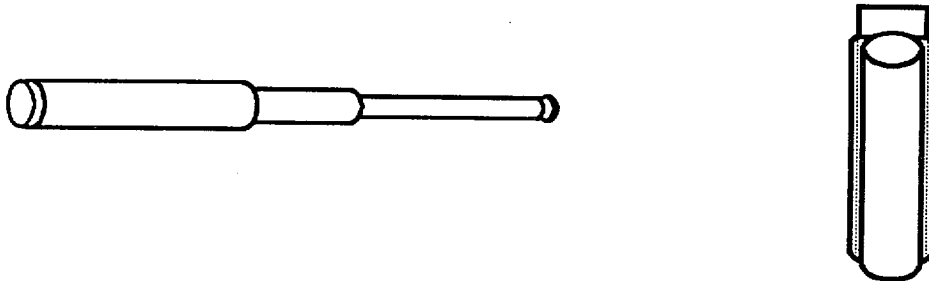
Fabricated from molded rubber. Used to secure doors in either an open or closed position. Five Door Wedges are provided with each Individual Assault Kit.

TECHNICAL CHARACTERISTICS

Dimensions 5 in. lg, 1-3/4 in. w (tapers from 1-1/2 in. to 1/8 in. h)

**INDIVIDUAL ASSAULT KIT
PERSONNEL RESTRAINING DEVICE COMPONENTS**

<u>NOMENCLATURE</u>	<u>NSN</u>	<u>P/N</u>	<u>CAGE</u>
Baton, Collapsible	TBD	009-52211-F16B	OUWS0
Scabbard, Baton	TBD	35-F16-2	0EZ72



DESCRIPTION AND FUNCTION

The Collapsible Baton is used for less than lethal control of an individual. Constructed of aluminum, the baton is black in color. One Collapsible Baton is provided with each Individual Assault Kit.

The Baton Scabbard is used to carry the baton upon the Assault Belt. Material is leather and is black in color with a plain finish. The Baton Scabbard will accept any length of Collapsible Baton. One Baton Scabbard is provided with each Individual Assault Kit.

BATON TECHNICAL CHARACTERISTICS

Retracted length 6 in.
 Extended length 16 in.

SCABBARD TECHNICAL CHARACTERISTICS

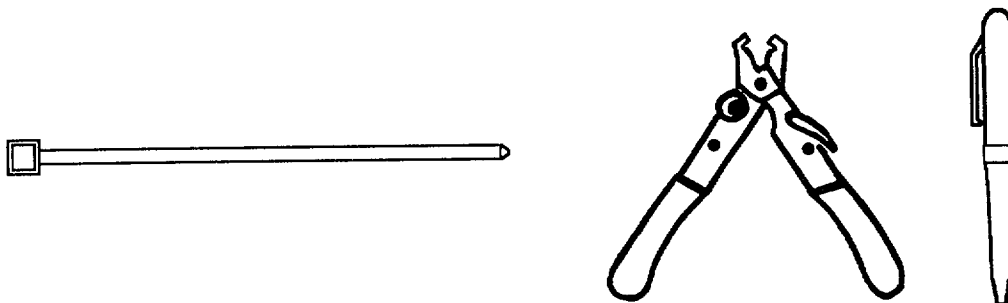
Material Leather

LONGER BATON SUITABLE SUBSTITUTES

21 Inch Model (Retracted length 7 in) 009-52411-F21B
 26 Inch Model (Retracted length 9.5 in) 009-52611-F26B

**INDIVIDUAL ASSAULT KIT COMPONENTS
PERSONNEL RESTRAINING DEVICES COMPONENTS**

<u>NOMENCLATURE</u>	<u>NSN</u>	<u>P/N</u>	<u>CAGE</u>
Strap Kit, Involuntary	8465-00-007-2636	5020	57166



DESCRIPTION AND FUNCTION

Fabricated from white nylon. The involuntary restraint strap functions as a lightweight, easily carried means to secure the hands or feet of captured personnel. After the pointed end is inserted in the head and tightened a stainless steel internal tooth prevents the nylon strap from being loosened. Removal requires cutting the nylon strap with the cutting tool provided. A pen is provided in the kit for marking information on the strap. One kit is provided with each Individual Assault Kit.

TECHNICAL CHARACTERISTICS

Strap 20 in. lg, 3/10 in. w

MAJOR COMPONENTS

<u>ITEM</u>	<u>U/M</u>	<u>QTY</u>	<u>P/N</u>	<u>CAGE</u>	<u>NSN</u>
Flex Cuff Restraint	EA	50	5010	57166	8465-00-007-2637
Cutting Tool	EA	1	400-212	57166	TBD
Pen	EA	1	400-211	57166	TBD

CHAPTER 5
ASSAULT GAS MASK

ASSAULT GAS MASK

NOMENCLATURE: Mask, Chemical -
Biological

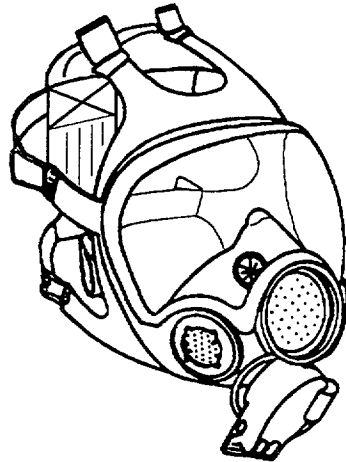
TAMCN: C4908 IIF

NSN: Refer Below

CAGE: 98752

ID: XXXXXA

SAC: 1



WARNING

The filter does not provide protection against ammonia or carbon monoxide which are gases, not particles in the atmosphere.

The filter does not provide protection from an oxygen deficient atmosphere.

DESCRIPTION AND FUNCTION

The model MCU-2A/P protects the wearer from a chemical and biological environment by removing airborne particles from breathing air and protecting the eyes. Utilizes a replaceable cartridge (Type C2) filter which may be moved to right or left cheek positions to suit left or right handed wearers. It also provides **no protection** from an oxygen deficient atmosphere. Voice diaphragms on the front and side permit face to face communication. Internal electrical contact pins permit attaching a microphone. A drinking tube compatible with the M2 canteen cap is attached to the mask. The facepiece is molded from silicone rubber. The lens is molded from an optically clear flexible gray urethane and bonded to the face piece. A clear plastic outsert attaches over the lens for additional protection to the wearer and also to protect the flexible lens from chemical droplets and scratches. A gray tinted outsert is also available. Six metal-tip elastic straps are attached to the facepiece tabs by buckles. A quick don pull tab is sewn to the head pad. The filter must be kept dry. A clear plastic bag and rubber bands are provided to protect the mask filter from becoming wet when not in use. A carrier bag with straps is provided.

ASSAULT GAS MASK (Continued)

TECHNICAL CHARACTERISTICS

<u>SIZE</u>	<u>P/N</u>	<u>NSN</u>
Small	88115001-1	4240-01-284-3615
Medium	88115001-2	4240-01-284-3616
Large	88115001-3	4240-01-284-3617

MAJOR COMPONENTS

<u>ITEM</u>	<u>U/I</u>	<u>QTY</u>	<u>P/N</u>	<u>CAGE</u>	<u>NSN</u>
Canister, Chemical-Bio	EA	1	D5-3-1520	81361	4240-01-361-1319
Carrier Bag	EA	1	864-33	92114	4240-01-224-4196
Harness, Head	EA	1	D5-2-1661	9N049	4240-01-223-7313
Hood, Chemical-Biological	EA	1	305022	55799	4240-01-189-9423
Outsert Assy, Clear, SM	EA	1	839-722-1	55799	4240-01-224-4195
Outsert Assy, Clear, M/L	EA	1	839-722-2	55799	4240-01-224-4197
Outsert Assy, Grey, SM	EA	1	864-127-1	55799	4240-01-247-9107
Outsert Assy, Grey, M/L	EA	1	864-127-2	55799	4240-01-249-4438

SUITABLE SUBSTITUTES

<u>ITEM</u>	<u>P/N</u>	<u>CAGE</u>	<u>NSN</u>
Mask, Chemical-Biological, Small	88115001-7	98752	4240-01-327-4148
Mask, Chemical-Biological, Medium	88115001-8	98752	4240-01-327-4149
Mask, Chemical-Biological, Large	88115001-9	98752	4240-01-327-4150

SPECIFIC INSTRUCTIONS

First echelon maintenance will be conducted by the owning/using unit and will include proper care, cleaning, and storage of the AGM. Regular care and cleaning is required to ensure serviceability and accountability. The AGM should be cleaned with mild soap and water only. User maintenance will be in accordance with FM 21-15, Care and Use of Individual Clothing and Equipment. Second echelon maintenance will also be performed by the using unit. These tasks are limited to performing minor repairs such as replacing worn/damaged parts, to include changing view port outserts, valves, and head straps. All costs incurred for maintenance is the responsibility of the using unit. Disposal of unserviceable items will be in accordance with local directives and procedures.

ASSAULT GAS MASK (Continued)

ASSOCIATED COMPONENTS

USING UNIT RESPONSIBILITY

<u>NOMENCLATURE</u>	<u>DESCRIPTION</u>	<u>U/I</u>	<u>QTY</u>	<u>P/N</u>	<u>CAGE</u>	<u>NSN</u>
Voice Projection Unit	Refer to page 5-5; clips onto the front of the mask; allows wearer to be heard at greater distances	EA	1	B-181A	61318	5830-01-350-6428
Applique Anti-Fog	A thin polycarbonate anti-fog shield that attaches directly to the inside lens' surface of the MCU-2/P Gas Mask	EA	AR	1220-MCU2P	OUWS0	TBD

REFERENCES

TO 14P4-15-1, NAVFAC P-463, Operation and Maintenance Instructions with Illustrated Parts Breakdown. Chemical and Biological Mask Type MCU-2/P. (This manual does not address the microphone contact pins).

Letter of Adoption and Procurement, Number 33-90, Parts 1 and 2 for the Assault Gas Mask.

ULSS-003390-15, User's Logistics Support Summary for the Assault Gas Mask.

FM 21-15, Care and Use of Individual Clothing and Equipment

ASSAULT GAS MASK COMPONENTS

NOMENCLATURE: Voice Projection Unit

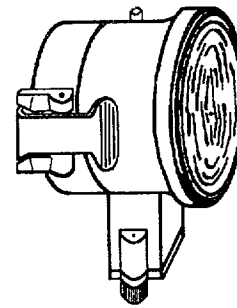
NSN: 5830-01-350-6428

PART NUMBER: B-181A

CAGE: 8Y672

ID: XXXXXA

SAC: 1



DESCRIPTION AND FUNCTION

The Voice Projection Unit is a self-contained, miniature voice amplifier which attaches externally to the Assault Gas Mask and provides improved communication. This unit amplifies the voice of the mask-wearer. The Voice Projection Unit attaches easily and quickly to the mask by depressing two spring loaded clamp levers. This can be accomplished while wearing gloves. No modifications to the mask are required. The unit is powered by a standard 9-volt battery. The battery life is 10-15 hours at a 50% transmission rate and can be replaced easily without tools by loosening two knurled thumb screws. A watertight switch on the top of the unit turns the unit on or off. The unit is compatible with a variety of radio systems. The Voice Projection Unit does not impair the wearer's vision or impair the seal of the mask. The unit is compatible with chemical agents encountered in a chemical, biological, and radiological (CBR) environment. The unit is designed to undergo decontamination procedures. The unit provides a voice range of up to approximately 75 meters.

TECHNICAL CHARACTERISTICS

Dimensions	3 in. w, 3.5 in. h, 2.25 in. deep
Weight	Less than 9 oz (less battery)
Useable voice range	Up to approximately 75 meters
Battery type	9 volt (MN 1604) (see below)
Temperature range	0 - 80 °C
Environmental	Meets MIL-STD-810E for mechanical shock, temperature shock, blowing rain, corrosive atmospheres, electromagnetic interference and electromagnetic compatibility.

ASSOCIATED COMPONENTS

USING UNIT RESPONSIBILITY

<u>NOMENCLATURE</u>	<u>DESCRIPTION</u>	<u>U/I</u>	<u>QTY</u>	<u>P/N</u>	<u>CAGE</u>	<u>NSN</u>
Battery, Non-Rechargeable	9 volt; alkaline; rectangular with round corners; 1" lg, .7" w, 1.9" h; shelf life, one year	EA	AR	MN1604	90303	6135-00-900-2139

CHAPTER 6
ASSAULT BREACHER KIT

ASSAULT BREACHER KIT

TAMCN: C4144 IIE
P/N: 92001A0018

NSN: 9999-01-357-0748
CAGE: 01365

ID: 09687A
SAC: 1

NOTE
REFER TO PAGES 6-5 THROUGH 6-62 FOR
INDIVIDUAL EQUIPMENT ILLUSTRATIONS

DESCRIPTION AND FUNCTION

The Assault Breacher Kit (ABK) is used for forcible entry into structures during raid operations. The ABK consists of personal protection items, firing devices, tools, and adhesives. No munitions or explosives are included in this kit.

TECHNICAL CHARACTERISTICS

Dimensions 65 in. (L), 17 in. (W), 16.5 in. (H)
Square 7.7 sqft
Cube 10.6 cuft
Weight 400 lbs (notional)

MAJOR COMPONENTS

SUPPLY SYSTEM RESPONSIBILITY

<u>NOMENCLATURE</u>	<u>U/I</u>	<u>QTY</u>	<u>NOMENCLATURE</u>	<u>U/I</u>	<u>QTY</u>
ASSAULT BREACHER KIT:			Glove, Abrasion Resistant	EA	2
Applicator, Gun, Glue	EA	2	Hammer, Hand (Carpenter's)	EA	1
Armguard, Abrasion Resistant	EA	2	Hammer, Hand, Sledge (2-1/2 lb)	EA	2
Bag, Tool, Satchel	EA	1	Hammer, Hand, Sledge (10 lb)	EA	2
Bar, Wrecking	EA	1	Hooligan Tool, Pry Bar	EA	2
Blanket, Breacher (w/ Case)	EA	2	Key Set, Socket Head	SE	1
Blasting Machine	EA	2	Lubricating Gun, Hand	EA	1
Breaching Device, Hydraulic	EA	1	Pliers, Fence	EA	1
Carrier, Tool	EA	2	Pliers, Needle Nose	EA	1
Case, Twist Drill	EA	1	Pliers, Diagonal Cutting	EA	2
Chest, Tool Kit	EA	1	Pliers, Slip Joint	EA	1
Clamp C (6 in.)	EA	1	Pouch, Mechanics Tool	EA	1
Clamp C (10 in.)	EA	1	Puller, Lock Cylinder	EA	1
Cutter, Bolt	EA	1	Punch, Center, Automatic	EA	1
Drill, Breast	EA	1	Ram, Battering	EA	1
Drill, Electric, Portable	EA	1	Stud Finder, Density	EA	2
Drill, Twist (3/32 in.)	EA	1	Tacker, Staple Gun	EA	1
Drill, Twist (1/8 in.)	EA	1	Tacker, Staple Hammer	EA	1
Drill, Twist (5/32 in.)	EA	1	Wrench, Pipe	EA	1
Drill, Twist (3/16 in.)	EA	1			
Drill, Twist (7/32 in.)	EA	1	DEMOLITION EQUIPMENT:		
Drill, Twist (3/8 in.)	EA	1	Bag, Demolition Equipment	EA	4
Drill, Twist (13/32 in.)	EA	1	Box, Blasting Cap	EA	4
Drill, Twist (7/16 in.)	EA	1	Crimper, Blasting Cap	EA	4
Drill, Twist (1/2 in.)	EA	1	Knife, Pocket	EA	4
Fire Fighting Equipment	KT	1	Shears, Metal Cutting	EA	2
Firing Device, Dual Shock Tube	EA	2	Tape, Measuring, 6 ft	EA	4
Flashlight	EA	1	Tape, Measuring, 100 ft	EA	2
Galvanometer	EA	2			

ASSAULT BREACHER KIT (Continued)

ASSOCIATED COMPONENTS

USING UNIT RESPONSIBILITY

<u>NOMENCLATURE</u>	<u>U/I</u>	<u>QTY</u>	<u>NOMENCLATURE</u>	<u>U/I</u>	<u>QTY</u>
Adapter, Shock Tube Priming	EA	AR	Nail	LB	AR
Adapter, Dual Nonel	EA	AR	Paste, Adhesive, Breacher	BT	AR
Battery, Nonrechargeable	PG	AR	Paste, Adhesive, Breacher	CN	AR
Battery, Nonrechargeable	EA	AR	Staple (Gun Type)	BX	AR
Battery, Nonrechargeable	PG	AR	Staple (Hammer Type)	BX	AR
Blade, Craftsmans Knife	PG	AR	Tack	LB	AR
Connector, Detonating Cord	EA	AR	Tape, Engineer	RO	AR
Glue Stick	EA	AR	Tape, Insulation Electrical	RO	AR
Goggles, Industrial	EA	AR	Tape, Pressure Sensitive	RO	AR
Grease, General Purpose	CA	AR	Tape, Pressure Sensitive	RO	AR
Knife, Craftsmans	EA	AR	Target, Kneeling	BU	AR
			Thermoplastic, Contact Adhesive	EA	AR

REFERENCES

Letter of Adoption and Procurement, Number 36-90, Parts 1 and 2 for the Assault Breacher Kit

SL-3-09687A, Components List for the Assault Breacher Kit

ULSS-003690-15, User's Logistics Support Summary for the Assault Breacher Kit, NSN 9999-01-357-0748

Breachers Handbook, Volume 1

SPECIFIC INSTRUCTIONS

First echelon maintenance is conducted by the owning/using unit and includes proper care, cleaning, and storage of the ABK components. Regular care and cleaning is required to ensure serviceability and accountability. Second echelon maintenance is also performed by the using unit. Disposal of unserviceable (SAC 1) items will be in accordance with local directives and procedures.

The Galvanometer (NSN 6625-00-539-8444) requires calibration per MCO 4733.1 to ensure satisfactory operation. Calibration for this item is already performed by Marine Corps activities.

Assault Breacher training will only be conducted by graduates of the Marine Corps Assault Breacher School or supervised by graduates of the Marine Corps Assault Breacher School/Assault Breacher Instructor School.

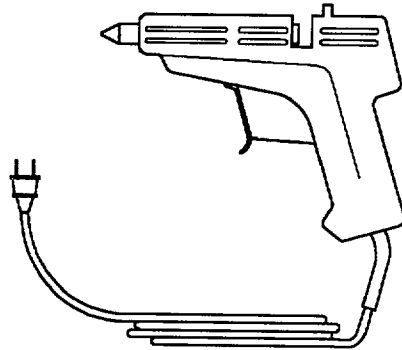
ASSAULT BREACHER KIT COMPONENTS

NOMENCLATURE: Applicator, Gun, Glue

NSN: 5130-01-213-1213

PART NUMBER: HYSOL 1001

CAGE: 1JB33



DESCRIPTION AND FUNCTION

Heats and melts glue. Used to construct explosive charges. Requires electric power. Uses 1/2 in. dia glue sticks. Two Glue Gun Applicators are provided with each Assault Breacher Kit.

TECHNICAL CHARACTERISTICS

Power requirements 110 Vac

ASSOCIATED COMPONENTS

USING UNIT RESPONSIBILITY

<u>NOMENCLATURE</u>	<u>DESCRIPTION</u>	<u>U/I</u>	<u>QTY</u>	<u>P/N</u>	<u>CAGE</u>	<u>NSN</u>
Glue Stick	1/2 in. dia; settings for bonding adhesive to wood, plastics, and acrylic.	LB	AR	1942CAT505	12405	8040-01-214-4075

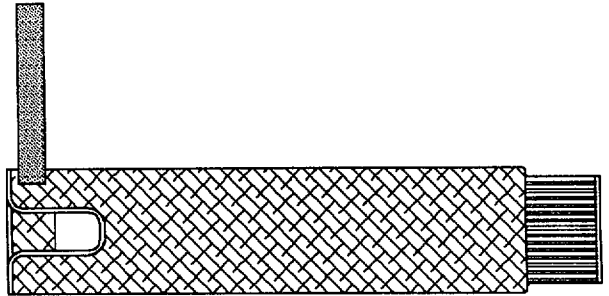
ASSAULT BREACHER KIT COMPONENTS

NOMENCLATURE: Armguard, Abrasion
Resistant

NSN: TBD

PART NUMBER: GNK18W-S

CAGE: OEUP8



DESCRIPTION AND FUNCTION

Protects arm from abrasion. Sleeve is made from aramid fabric and has a thumb loop. Will fit either arm. Ordered individually (each, not pair). Two Abrasion Resistant Armguards are provided with each Assault Breacher Kit.

TECHNICAL CHARACTERISTICS

Sleeve length 18 in.

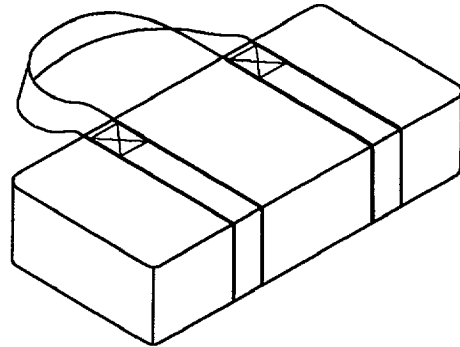
ASSAULT BREACHER KIT COMPONENTS

NOMENCLATURE: Bag, Tool, Satchel

NSN: 5140-00-473-6256

PART NUMBER: 11655979

CAGE: 34623



DESCRIPTION AND FUNCTION

The satchel tool bag is used to store and transport tools and materials. It has two pockets with slide fastener closures and two nylon webbing handles. Constructed from nylon duck. One Satchel Tool Bag is provided in each Assault Breacher Kit.

TECHNICAL CHARACTERISTICS

Dimensions 19-1/2 in. (L), 6 in. (W), 8-1/2 in. (H)
 Drawings Conforms to Army Natick Lab drawings 2-3-219
 and 2-3-220, and MIL-B-43663 Type 1.
 Material Nylon Duck

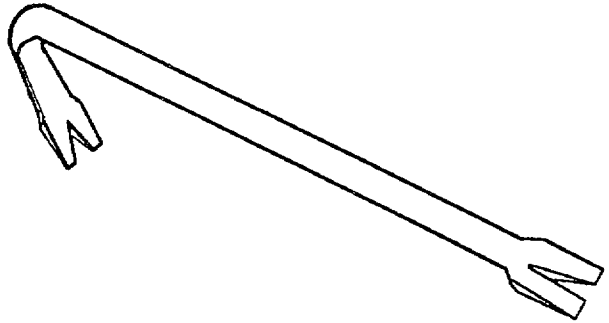
ASSAULT BREACHER KIT COMPONENTS

NOMENCLATURE: Bar, Wrecking

NSN: 5120-00-293-0665

PART NUMBER: A-A-2566

CAGE: 58536



DESCRIPTION AND FUNCTION

The Wrecking Bar is used to pry framing from buildings. Constructed from hardened forged steel. Features a gooseneck claw on one end and a double-beveled pinch point, offset at a 30° angle, at the other end. One Wrecking Bar is provided with each Assault Breacher Kit.

TECHNICAL CHARACTERISTICS

Length	30 in.
Diameter	3/4 in.

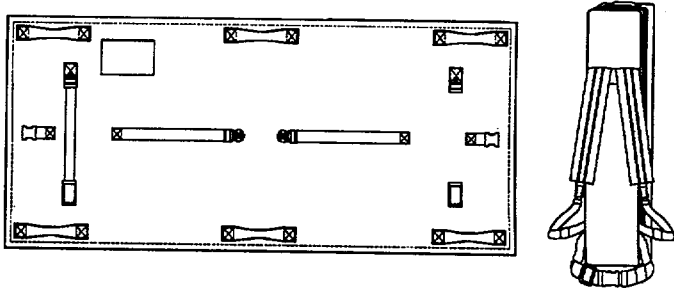
ASSAULT BREACHER KIT COMPONENTS

NOMENCLATURE: Blanket, Breacher
with Case

NSN: 8470-01-441-0885

PART NUMBER: Z432001

CAGE: 62283



DESCRIPTION AND FUNCTION



The manufacturer's part number and CAGE code number for the Breacher Blanket is the only authorized item for procurement for Marines engaged in CQB operations. This is the only item that has currently passed the U.S. Marine Corps ballistic requirements for a Breacher Blanket. There are no suitable substitutes authorized for this Ballistic Blanket. Any substitution must first be approved by MARCORSYSCOM (Code: CBG1-C).

The Breacher Blanket provides protection from demolition blast and blast particles. The cover is made from 1000 denier Cordura nylon. Two Breacher Blankets, with carrying cases, are provided in each Assault Breacher Kit. Using unit responsibility.

TECHNICAL CHARACTERISTICS

Dimensions 72 in. lg, 33 in. w
 Weight 28 lbs

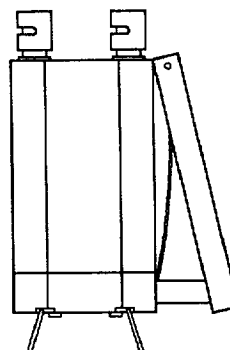
ASSAULT BREACHER KIT COMPONENTS

NOMENCLATURE: Blasting Machine

NSN: 1375-00-567-0223

PART NUMBER: 9312773

CAGE: 19200



DESCRIPTION AND FUNCTION

The Blasting Machine is used to initiate electric blasting caps for demolition work. Permanent magnet electrical generator type. Binding posts are provided for electrical connections. Includes a trigger lamp. Handle operated. Waterproof plastic case, model number M34. Defense Ammo Code, 1375-M779. Two Blasting Machines are provided with each Assault Breacher Kit.

TECHNICAL CHARACTERISTICS

Dimensions	5 in. (L), 2-3/4 in. (W) 1-1/4 in. (H)
Detonation capacity	Detonate 50 electric blasting caps simultaneously
Electrical Output	1.5 Amp RMS
Drawings	Conforms to MIL-E-63094 and U.S. Army Research and Development Command drawing 9312773.

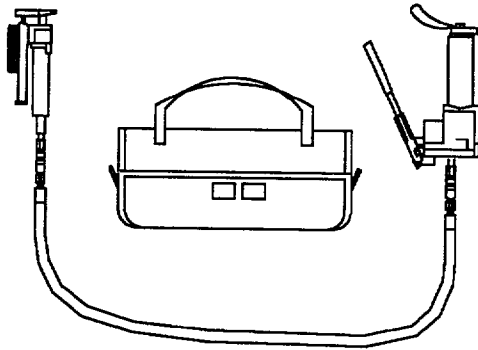
ASSAULT BREACHER KIT COMPONENTS

NOMENCLATURE: Breaching Device,
Hydraulic

NSN: 4240-01-394-3897

PART NUMBER: HF-3LE

CAGE: OPR87



DESCRIPTION AND FUNCTION

A hydraulic forcible entry tool that is used to spread door frames to gain entry. Rubber covered base for stability and noise prevention. Consists of an operating head, an eight foot hydraulic hose and a hydraulic pump. The operating head rotates 360 degrees. Its stainless steel jaws are less than 1/4 in. thk to facilitate insertion in door frames and jambs. The hydraulic hose is eight feet long and has quick disconnect fittings. The hydraulic pump has a handle that may be operated by hand or feet. One Hydraulic Breaching Device is provided in each Assault Breacher Kit.

TECHNICAL CHARACTERISTICS

Dimensions	26 in. lg (retracted)
	46 in. lg (extended)
Weight	17 lbs
Capacity	3 tons max

MAJOR COMPONENTS

<u>NOMENCLATURE</u>	<u>U/I</u>	<u>QTY</u>	<u>P/N</u>
Operating Head	EA	1	IHF-3LE-HEAD
8-foot hydraulic hose	EA	1	IHF-3LE-8FTHOSE
Hydraulic pump	EA	1	IHF-3LE-PUMP
Storage Bag	EA	1	IHF-3LE-BAG

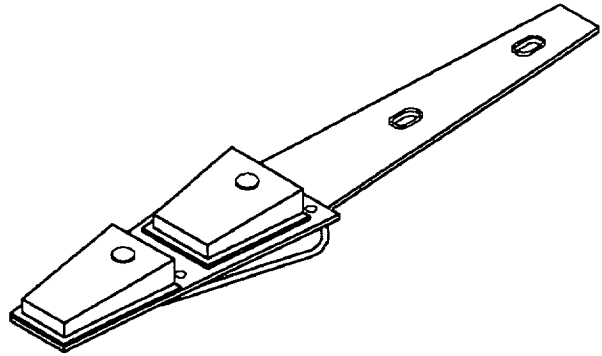
ASSAULT BREACHER KIT COMPONENTS

NOMENCLATURE: Carrier, Tool

NSN: 5140-00-498-8898

PART NUMBER: 8678

CAGE: 80244



DESCRIPTION AND FUNCTION

Used for carrying tools. A leather strap loop fastener permits attachment to a belt or harness. The Tool Carrier has two vertical compartments with snap fastener closure flaps. Constructed from leather cowhide. Two Tool Carriers are provided with each Assault Breacher Kit.

TECHNICAL CHARACTERISTICS

Dimensions 8 in. lg, 3 in. w
Specification Data Conforms to GGG-C-1520 Type 1, Style 2.

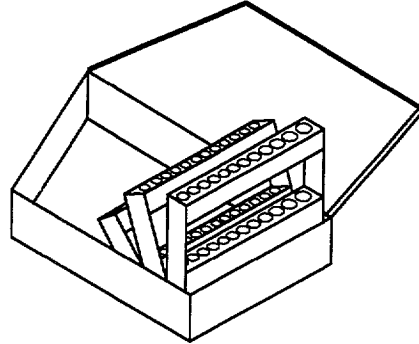
ASSAULT BREACHER KIT COMPONENTS

NOMENCLATURE: Case, Twist Drill

NSN: 5140-00-277-8835

PART NUMBER: B129A

CAGE: 55719



DESCRIPTION AND FUNCTION

The Twist Drill Case is used to store and transport straight shank twist drills (bits). It is fabricated from sheet steel, and has a hinged cover. It holds 29 drills from 1/16 through 1/2 in. dia. Drill sizes are marked. One Twist Drill Case is provided with each Assault Breacher Kit.

TECHNICAL CHARACTERISTICS

Capacity	29 twist drills
Specifications	Conforms to GGG-C-116, Type 1, Class 1

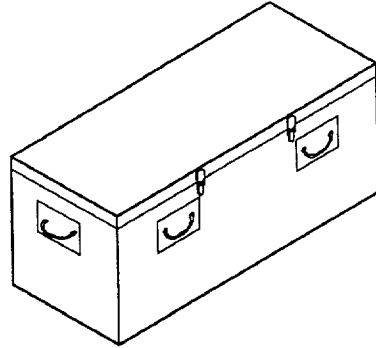
ASSAULT BREACHER KIT COMPONENTS

NOMENCLATURE: Chest, Tool Kit

NSN: 5140-00-212-5325

PART NUMBER: MIL-C-12044

CAGE: 81349



DESCRIPTION AND FUNCTION

Used to store and transport tools. It is constructed from NN-P-530 Group A or B plywood. The lid is hinged. Six handles are provided for carrying. The interior is divided into four compartments. A locking device is provided to accept a separate lock. Painted finish conforms to MIL-T-704 Type A. Conforms to MIL-C-12044. One Tool Kit Chest is provided with each Assault Breacher Kit.

TECHNICAL CHARACTERISTICS

Dimensions 65 in. (L), 17 in. (W), 16-1/2 in. (H)
Drawings Corps of Engineers drawing D-1149-1/2/3

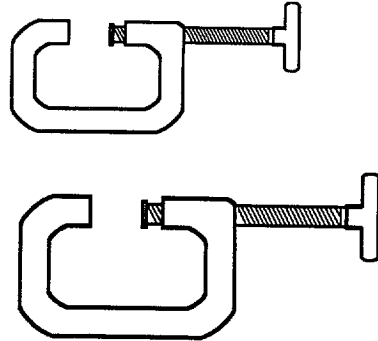
ASSAULT BREACHER KIT COMPONENTS

NOMENCLATURE: Clamps, C

NSN: Refer To Chart Below

PART NUMBER: Refer To Chart Below

CAGE: 58536



DESCRIPTION AND FUNCTION

These clamps consist of a forged steel frame and a steel screw. Used for clamping and holding materials in a fixed position. One clamp, each size, is provided with each Assault Breacher Kit.

TECHNICAL CHARACTERISTICS

<u>Opening Width</u>	<u>Throat Depth</u>	<u>Test Load</u>	<u>P/N</u>	<u>NSN</u>
6 in.	2-1/4 in.	11,250 lb	A-A-431	5120-00-203-6431
10 in.	3-1/2 in.	6,000 lb	A-A-429	5120-00-203-6437

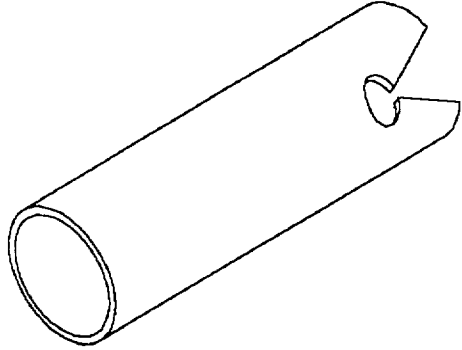
ASSAULT BREACHER KIT COMPONENTS

NOMENCLATURE: Connector,
Detonating Cord

NSN: 1375-00-225-2419

PART NUMBER: 2995437

CAGE: 10001



DESCRIPTION AND FUNCTION

Used to connect detonating cord. Fabricated from molded polyethylene. Using unit responsibility.

TECHNICAL CHARACTERISTICS

Inside diameter 0.500 in.
Outside diameter (material thickness) 0.184 in.

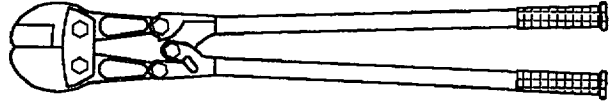
ASSAULT BREACHER KIT COMPONENTS

NOMENCLATURE: Cutter, Bolt

NSN: 5110-00-188-2524

PART NUMBER: GGG-C-740

CAGE: 81348



DESCRIPTION AND FUNCTION

WARNING

Handles are not electrically insulated.

Used for cutting padlocks, chainlink fences, and wire rope. Sharp edged jaws for close cutting near flat surfaces. One Bolt Cutter is provided with each Assault Breacher Kit.

TECHNICAL CHARACTERISTICS

Length	36 in. lg
Cutting capacity	9/16 in. dia
Cut Type	Clipper
Conforms to Federal Specification	GGG-C-740, Type 2, Class 4

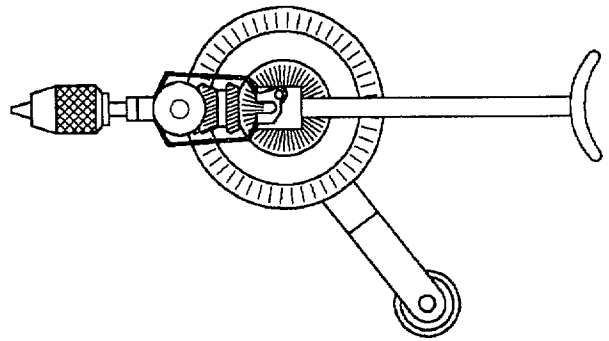
ASSAULT BREACHER KIT COMPONENTS

NOMENCLATURE: Drill, Breast

NSN: 5110-00-596-9323

PART NUMBER: A-A-2553

CAGE: 58536



DESCRIPTION AND FUNCTION

Features a three jaw chuck which accepts twist drills up to 1/2 in. diameter. Has two speeds for drilling wood or metal. Has side handles. One Breast Drill is provided with each Assault Breacher Kit.

TECHNICAL CHARACTERISTICS

Length 19 in. lg max
Weight 8 lbs

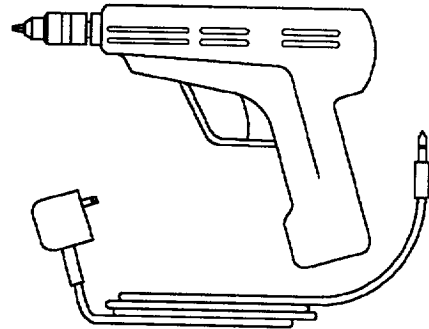
ASSAULT BREACHER KIT COMPONENTS

NOMENCLATURE: Drill, Electric,
Portable

NSN: 5130-01-377-0184

PART NUMBER: 9853S

CAGE: 60933



DESCRIPTION AND FUNCTION

This item is a cordless, portable, 3/8" variable two speed hand drill with keyless chuck. It is capable of reversible rotation and is designed with a planetary gear system for more efficient power transfer. It also has a five position adjustable clutch. Accessories include one battery charger, two battery packs, and metal case. One Portable Electric Drill is provided with each Assault Breacher Kit.

TECHNICAL CHARACTERISTICS

Battery Voltage 12 Vdc
 Charger Voltage 115 Vac
 Battery Charging Time 1 hour
 Drill Sizes Accommodated up to 3/8 inch shank
 No load speed 0-350/0-1000 RPM

MAJOR COMPONENTS

SUPPLY SYSTEM RESPONSIBILITY

<u>NOMENCLATURE</u>	<u>U/I</u>	<u>QTY</u>	<u>P/N</u>	<u>CAGE</u>	<u>NSN</u>
Drill, Electric	EA	1	9853	60933	5130-01-377-0184
Battery Pack	EA	2	8500	60933	6140-01-432-5109
Charger, Battery	EA	1	8501	60933	6130-01-429-7013

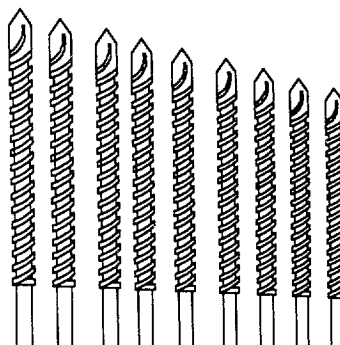
ASSAULT BREACHER KIT COMPONENTS

NOMENCLATURE: Drills, Twist

NSN: Refer To Chart Below

PART NUMBER: Refer To Chart Below

CAGE: 16568



DESCRIPTION AND FUNCTION

Twist Drill bits may be used with manual or electric drills. Sizes vary from 3/32 to 1/2 inch in diameter. Heavy duty, solid carbide suitable for drilling high carbon steel. One each of the drill sizes listed below are provided in the Assault Breacher Kit.

TECHNICAL CHARACTERISTICS

Cutting Rotation Direction	Right Hand
Flute Quantity	2
Point Type	Conventional
Hardness Rating	40-53 Rockwell C

MAJOR COMPONENTS

<u>DIAMETER</u> <u>(INCHES)</u>	<u>U/I</u>	<u>QTY</u>	<u>P/N</u>	<u>NSN</u>
3/32 (.093)	EA	1	31006	5133-00-010-4005
1/8 (.125)	EA	1	31008	5133-00-841-8702
5/32 (.156)	EA	1	31010	5133-00-850-3292
3/16 (.187)	EA	1	31012	5133-00-900-2063
7/32 (.218)	EA	1	31014	5133-00-841-8759
3/8 (.375)	EA	1	31024	5133-00-841-8746
13/32 (.406)	EA	1	31026	5133-00-841-8744
7/16 (.437)	EA	1	31028	5133-00-841-8742
1/2 (.500)	EA	1	70-10029	5133-00-841-8708

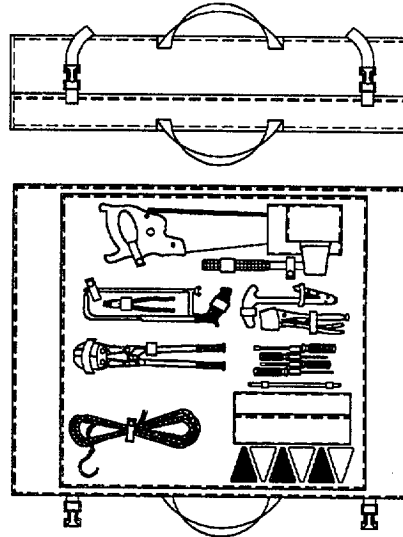
ASSAULT BREACHER KIT COMPONENTS

NOMENCLATURE: Fire Fighting
Equipment Set

NSN: 4120-00-900-8557

PART NUMBER: C1F-CRK5

CAGE: 61125



DESCRIPTION AND FUNCTION

Contains tools useful in forceful entry of buildings and shutting off utilities such as electricity, gas and fuel oil. A bag for storage and transportation is provided. One set of Fire Fighting Equipment is provided with each Assault Breacher Kit.

TECHNICAL CHARACTERISTICS

Ax, Emergency Escape	12 in. lg, steel serrated edge, 2-1/2 lb
Cutter, Bolt	14 in. lg, rigid head, angular, flush cutting, 1/4-in. capacity
Frame, Hand Hacksaw	Accepts 10 to 12 in. blade, 3 in. throat depth
Fuel Plugs, Line	Tapered, hardwood and neoprene (3 each); 6 total
Hacksaw Blades	10 in. lg, steel, 24 points per in., 1/2 in. w, 0.025 in. thk
Hook, Grappling	40 in. lg with rope sling
Knife, Crash, Rescue	J-shaped, 2 blades in slot, for cutting seat belts and harnesses, 10 in. lg
Pliers, Linemans	8 in. lg, jaw opening 7/8 in., jaw length 1-1/2 in., jaw width 5/8 in.
Saw, Hand, Metal Cutting	18 in. long blade, 15 points per in.
Screwdriver, Cross-Tip	6 in. lg blade, size No. 3 Phillips Cross, plastic handle
Screwdriver, Cross-Tip	4 in. lg blade, size No. 2 Phillips Cross, plastic handle
Screwdriver, Flat Tip	4 in. lg blade, .144 in. w tip, plastic handle
Screwdriver, Flat Tip	6 in. lg blade, .188 in. w tip, plastic handle
Wrench Pliers	10 in. lg, 1-5/8 in. jaw capacity, steel
Storage Bag	Canvas, Green

FIRE FIGHTING EQUIPMENT (Continued)

MAJOR COMPONENTS

SUPPLY SYSTEM RESPONSIBILITY

<u>NOMENCLATURE</u>	<u>U/I</u>	<u>QTY</u>	<u>P/N</u>	<u>CAGE</u>	<u>NSN</u>
Ax, Emergency Escape	EA	1	RN3	12183	4240-00-169-5711
Cutter, Bolt	EA	1	GGG-C-740	81348	5110-00-224-7055
Frame, Hand Hacksaw	EA	1	HS8	55719	5110-00-289-9657
Fuel Plug, Line	EA	6		61125	
Hacksaw Blades	EA	3	31-51024	54940	5110-00-277-4588
Hook, Grappling	EA	1	09-1162	61125	
Knife, Rescue	EA	1	RN2	12183	5110-00-524-6924
Pliers, Linemans	EA	1	6085	86373	5120-00-239-8251
Saw, Hand, Metal Cutting	EA	1	240	20455	5110-00-221-0235
Screwdriver, Cross-Tip, No.3	EA	1	SSDP63	55719	5120-00-234-8912
Screwdriver, Cross-Tip, No.2	EA	1	SSDP42	55719	5120-00-234-8913
Screwdriver, Flat-Tip, .144 wide	EA	1	B10715TY1CL1	80204	5120-00-540-0563
Screwdriver, Flat-Tip, .188 wide	EA	1	SSDE66	55719	5120-00-227-7356
Pliers, Wrench	EA	1	VP10R	55719	5120-01-411-9178
Bag, Canvas, Green	EA	1	FFE-GCB	61125	

ASSOCIATED COMPONENTS

USING UNIT RESPONSIBILITY

<u>NOMENCLATURE</u>	<u>DESCRIPTION</u>	<u>U/I</u>	<u>QTY</u>	<u>P/N</u>	<u>CAGE</u>	<u>NSN</u>
Blades, Crash Rescue Knife	Replacement Blades, 2 each, 2.095 in. lg, 0.805 in. w, 0.035 inch thick.	EA	AR	RKBG	20786	5110-00-098-4326
Blades, Hand Hacksaw	10 in. lg, 24 teeth per in.	EA	AR	31-51024	54940	5110-00-277-4588

REFERENCES

See Breacher's Handbook Volume 1, Chapter 5 for application procedures.

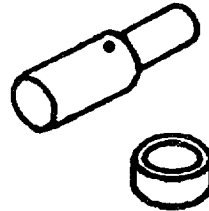
ASSAULT BREACHER KIT COMPONENTS

NOMENCLATURE: Firing Device,
Dual Shock Tube

NSN: TBD

P/N: 6830260

CAGE: 53711



DESCRIPTION AND FUNCTION

Used to initiate detonation in conjunction with two shock tube priming adapters. Two Firing Devices are provided in each Assault Breacher Kit.

ASSOCIATED COMPONENTS

USING UNIT RESPONSIBILITY

<u>NOMENCLATURE</u>	<u>DESCRIPTION</u>	<u>U/I</u>	<u>QTY</u>	<u>P/N</u>	<u>NSN</u>
Adapter, Shock Tube Priming	Adapter for priming shock tube detonators using various initiating devices.	EA	AR	M60/A	TBD
Adapter, Dual Shock Tube	Allows simultaneous use of two shock tube priming adapters.	EA	AR	M60	TBD

TM 24562A-14

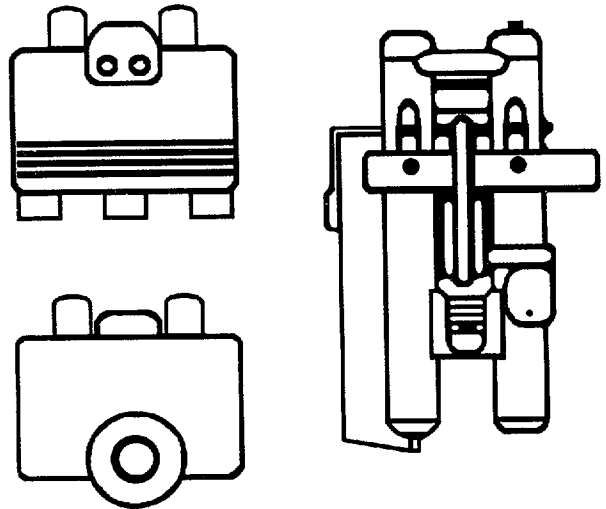
ASSAULT BREACHER KIT COMPONENTS

NOMENCLATURE: Firing Device,
Handheld, Dual

NSN: 1375-01-377-8032

P/N: 6702835

CAGE: 53711



DESCRIPTION AND FUNCTION

The Mk54 MOD 0 is a pull activated Demolition Firing Device. It is made of a zinc alloy and two each are provided with the Assault Breacher Kit.

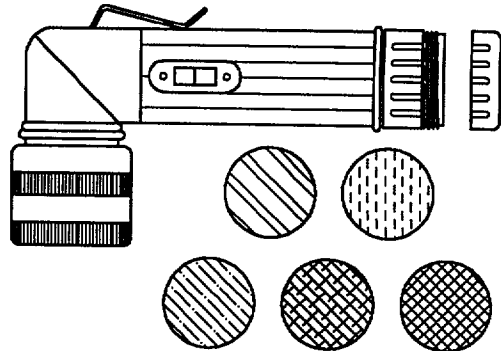
ASSAULT BREACHER KIT COMPONENTS

NOMENCLATURE: Flashlight

NSN: 6230-00-264-8261

PART NUMBER: MX-991/U

CAGE: OZQT5



DESCRIPTION AND FUNCTION

Watertight. Uses two "D" size batteries. Olive drab plastic body. Supplied with clear lens plus diffused lens. One blackout filter, two red filters, one blue filter and a spare lamp bulb are contained in a storage compartment. One Flashlight is provided with each Assault Breacher Kit.

TECHNICAL CHARACTERISTICS

Length 8-1/2 in.
 Diameter 2-1/4 in.
 Volts 3 Vdc
 Specification/Standard Data Conforms to MIL-F-3747 Type 1, Style 2

MAJOR COMPONENTS

SUPPLY SYSTEM RESPONSIBILITY

<u>NOMENCLATURE</u>	<u>U/I</u>	<u>QTY</u>	<u>NOMENCLATURE</u>	<u>U/I</u>	<u>QTY</u>
Flashlight	EA	1	Blackout Filter	EA	1
Clear Lens	EA	1	Red Filters	EA	2
Diffused Lens	EA	1	Blue Filters	EA	1
Bulbs	EA	2			

ASSOCIATED COMPONENTS

USING UNIT RESPONSIBILITY

<u>NOMENCLATURE</u>	<u>DESCRIPTION</u>	<u>U/I</u>	<u>QTY</u>	<u>P/N</u>	<u>CAGE</u>	<u>NSN</u>
Battery, Non-rechargeable cylindrical	JETDS BA-3030/U; 1.5 volt; shape,	PG	AR	BA3030U	80058	6135-00-930-0030

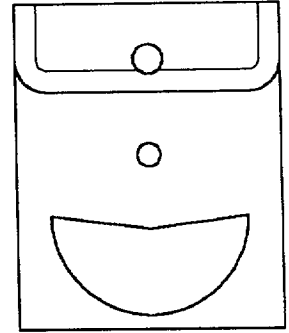
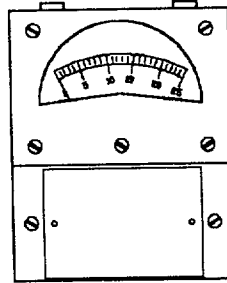
ASSAULT BREACHER KIT COMPONENTS

NOMENCLATURE: Galvanometer

NSN: 6625-00-539-8444

PART NUMBER: 72-0081

CAGE: 07239



DESCRIPTION AND FUNCTION

Used to verify that detonator electrical firing circuits are properly connected and functional. The Galvanometer provides the capability to test individual electric blasting caps, to determine whether or not an individual series circuit is closed and to locate broken wires and connections. Carrying case with strap. Dial and pointer, indicator. Powered by a silver chloride dry cell. Two Galvanometers are provided with each Assault Breacher Kit.

TECHNICAL CHARACTERISTICS

Dimensions 4-1/4 in. (L), 3-1/4 in. (W), 1-3/4 in. (9H)
 Scale marking 0 to 0.25
 Battery 0.9 Vdc

MAJOR COMPONENTS

SUPPLY SYSTEM RESPONSIBILITY

<u>NOMENCLATURE</u>	<u>U/I</u>	<u>QTY</u>	<u>NOMENCLATURE</u>	<u>U/I</u>	<u>QTY</u>
Galvanometer	EA	1	Carrying Case	EA	1

ASSOCIATED COMPONENTS

USING UNIT RESPONSIBILITY

<u>NOMENCLATURE</u>	<u>DESCRIPTION</u>	<u>U/I</u>	<u>QTY</u>	<u>P/N</u>	<u>CAGE</u>	<u>NSN</u>
Battery, Non-rechargeable	JETDS BA-245/U, Silver Chloride; 0.9 volt, cylindrical, 2.375 in. lg, 0.938 inches in dia. Type No. AN/USM-90.	EA	AR	MIL-B-13136	81349	6135-00-128-1632

NOTE: Do not attempt to substitute other types of batteries.

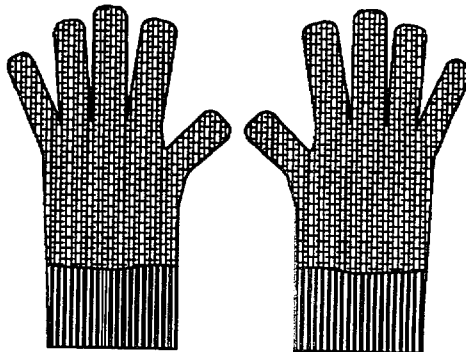
ASSAULT BREACHER KIT COMPONENTS

NOMENCLATURE: Gloves, Abrasion
Resistant

NSN: TBD

PART NUMBER: 333027

CAGE: 3P443



DESCRIPTION AND FUNCTION

Protects hands from abrasion. Extra large size. Fabricated from aramid fabrics. Glove will fit either hand. Ordered individually (each, not pair). Two Abrasion Resistant Gloves are provided with each Assault Breacher Kit.

TECHNICAL CHARACTERISTICS

Size Extra Large

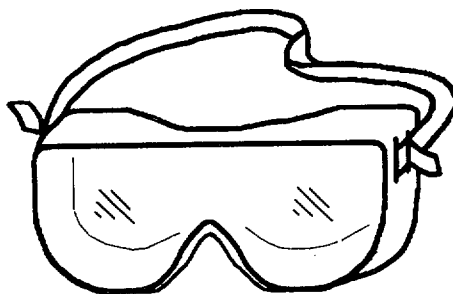
ASSAULT BREACHER KIT COMPONENTS

NOMENCLATURE: Goggles, Industrial

NSN: 4240-00-052-3776

PART NUMBER: A-A-1110

CAGE: 58536



DESCRIPTION AND FUNCTION

Protects eyes from small flying particles of dust and drill chips. Molded clear plastic flexible frame. Clear plastic one piece lens, saddle type nose bridge. Adjustable elastic webbing headband. Ventilated to reduce fogging. Design allows goggles to be worn over eyeglasses. Using unit responsibility. One pair of Industrial Goggles is provided with each Assault Breacher Kit.

TECHNICAL CHARACTERISTICS

Lens Width	2.375 in.
Head Band Length	18 in. min

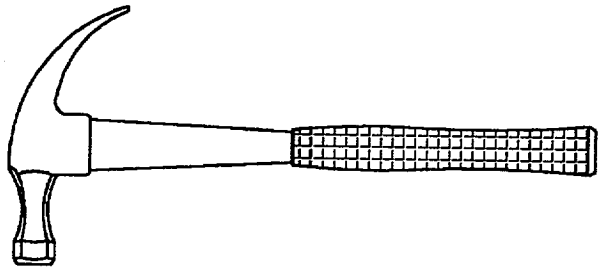
ASSAULT BREACHER KIT COMPONENTS

NOMENCLATURE: Hammer, Hand,
Carpenters

NSN: 5120-01-112-8352

PART NUMBER: A-A-1307

CAGE: 58536



DESCRIPTION AND FUNCTION

The Carpenter's Hand Hammer is used for driving and removing nails. Curved claw type with steel handle. One hammer is provided with each Assault Breacher Kit.

TECHNICAL CHARACTERISTICS

Length	13-1/2 in.
Weight of Head	20 oz

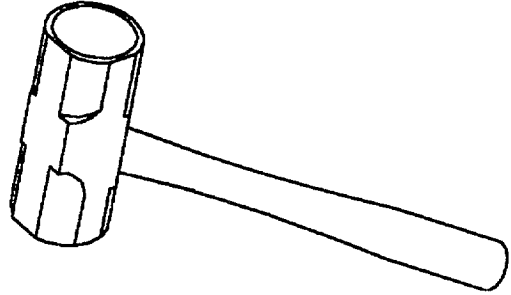
ASSAULT BREACHER KIT COMPONENTS

NOMENCLATURE: Hammer, Hand,
Sledge

NSN: 5120-00-900-6118

PART NUMBER: A-A-1293

CAGE: 58536



DESCRIPTION AND FUNCTION

Two and 1/2 pound blacksmith's double faced hammer with fiberglass handle. Two Sledge Hand Hammers are provided with each Assault Breacher Kit.

TECHNICAL CHARACTERISTICS

Length 15 in.
Weight of Head 2-1/2 lbs

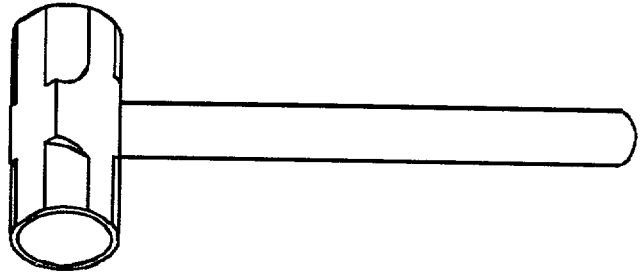
ASSAULT BREACHER KIT COMPONENTS

NOMENCLATURE: Hammer, Hand,
Sledge

NSN: 5120-00-900-6097

PART NUMBER: A-A-1293

CAGE: 58536



DESCRIPTION AND FUNCTION

Ten pound blacksmith's double faced sledge hammer. It has an octagonal shaped flat face on each end of the head. Fiberglass handle with cushioned rubber grip. Two Sledge Hand Hammers are provided with each Assault Breacher Kit.

TECHNICAL CHARACTERISTICS

Length	34 in.
Weight of Head	10 lbs

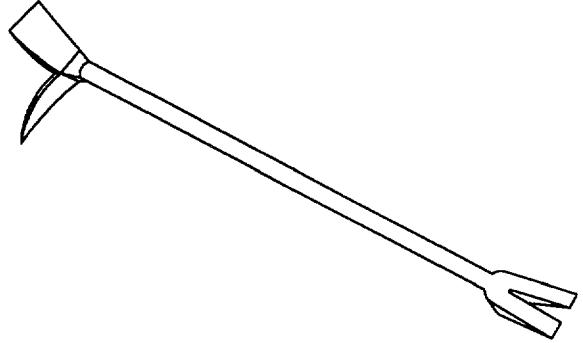
ASSAULT BREACHER KIT COMPONENTS

NOMENCLATURE: Hooligan Tool,
Pry Bar

NSN: 5120-01-108-8716

PART NUMBER: TP30

CAGE: 30978



DESCRIPTION AND FUNCTION

Used as a pry bar for forcible entry and rescue. Functions as a duckbill pry, a pick or spike, a flat head tool and a standard claw pry. Fabricated from high alloy steel. Chrome plated finish. Heat treated for increased strength. Two Hooligan Tools are provided with each Assault Breacher Kit.

TECHNICAL CHARACTERISTICS

Dimensions 30 in. lg, 1 in. dia
Weight 10 lbs

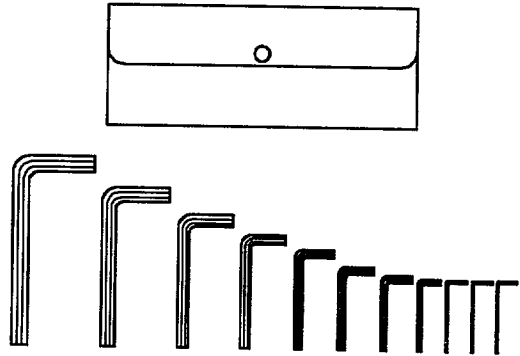
ASSAULT BREACHER KIT COMPONENTS

NOMENCLATURE: Key Set,
Socket Head

NSN: 5120-00-595-9244

PART NUMBER: AW11K

CAGE: 55719



DESCRIPTION AND FUNCTION

L-Shaped hex keys used to loosen and tighten hex head (Allen) machine screws. Each key has two working ends. Short arm series. The eleven keys vary in size from .050 to 3/8 inch. A bag is provided for storage and transport. One Key Set is provided with each Assault Breacher Kit.

TECHNICAL CHARACTERISTICS

Key Sizes050, 1/16, 5/64, 3/32, 1/8, 5/32, 3/16, 7/32, 1/4, 5/16, 3/8 in.

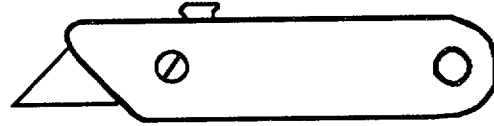
ASSAULT BREACHER KIT COMPONENTS

NOMENCLATURE: Knife, Craftsman's

NSN: 5110-00-892-5071

PART NUMBER: GGG-K-494

CAGE: 81348



DESCRIPTION AND FUNCTION

A multipurpose knife with a retractable blade which locks in three different cutting positions. Five spare blades are located in the handle and are accessible by removing one screw. Using unit responsibility.

TECHNICAL CHARACTERISTICS

Blade Length 1 in.
 Overall Length 5-1/2 in.
 Handle Construction Aluminum

ASSOCIATED COMPONENTS

USING UNIT RESPONSIBILITY

<u>NOMENCLATURE</u>	<u>DESCRIPTION</u>	<u>U/I</u>	<u>QTY</u>	<u>P/N</u>	<u>CAGE</u>	<u>NSN</u>
Blade, Knife	High carbon steel; five blades per box	PG	AR	11-921	78525	5110-00-293-2865

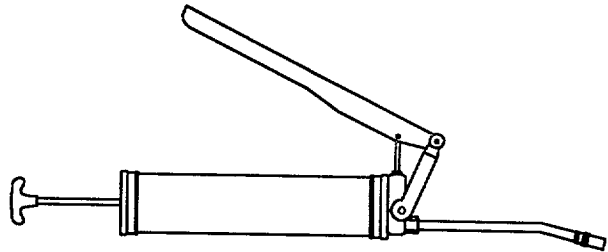
ASSAULT BREACHER KIT COMPONENTS

NOMENCLATURE: Lubricating Gun,
Hand

NSN: 4930-01-114-2121

PART NUMBER: GA473A

CAGE: 55719



DESCRIPTION AND FUNCTION

A lever operated grease gun. Accepts either cartridge or bulk lubricant. May be used to apply grease to a breaching charge to mount it to an intended target. One Hand Lubricating Gun is provided with each Assault Breacher Kit.

TECHNICAL CHARACTERISTICS

Capacity 14 oz

ASSOCIATED COMPONENTS

USING UNIT RESPONSIBILITY

<u>NOMENCLATURE</u>	<u>DESCRIPTION</u>	<u>U/I</u>	<u>QTY</u>	<u>P/N</u>	<u>CAGE</u>	<u>NSN</u>
Grease, General Purpose	14 oz cartridge	EA	AR	G-60/EPV	76736	9150-00-929-7946

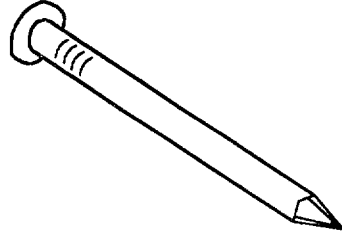
ASSAULT BREACHER KIT COMPONENTS

NOMENCLATURE: Nail

NSN: 5315-00-753-3880

PART NUMBER: MS90713-3

CAGE: 96906



DESCRIPTION AND FUNCTION

Fabricated from cold formed steel. This nail features a smooth round shank, flat head and a diamond shaped point. Using unit responsibility. Quantity, as required.

TECHNICAL CHARACTERISTICS

Shank Dimensions 1-1/2 in. lg, 1/10 in. dia
Head Dimensions 1/4 in. dia
Specification/Standard Data Type 2, Style 10

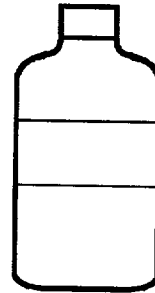
ASSAULT BREACHER KIT COMPONENTS

NOMENCLATURE: Paste, Adhesive,
Breacher

NSN: Refer To Chart Below

PART NUMBER: Refer To Chart Below

CAGE: 009J2



DESCRIPTION AND FUNCTION

A fire resistant adhesive paste in gel form. Intended for use in holding a charge against a target. The position of the charge may be adjusted or the charge may be removed after it has been attached to the target. Suitable for holding a charge to a variety of targets such as wood or metal doors, stucco, masonry, concrete, wet or dry over a wide temperature range. Fire resistant to reduce the customary fire ball when the explosive charge is detonated. Color amber. Supplied in either a 5-1/4 fluid ounce plastic bottle which may be used to squeeze out the paste or a 5 gallon pail. Using unit responsibility.

NOTE: The 5-1/4 oz plastic bottle is not refillable or reusable.

TECHNICAL CHARACTERISTICS

MAJOR COMPONENTS

USING UNIT RESPONSIBILITY

<u>NOMENCLATURE</u>	<u>DESCRIPTION</u>	<u>U/I</u>	<u>QTY</u>	<u>P/N</u>	<u>CAGE</u>	<u>NSN</u>
Paste, Adhesive, Breacher	5-1/4 oz bottle	BT	AR	592	009J2	8040-01-411-8927
Paste, Adhesive, Breacher	5 gal pail	CN	AR	595	009J2	8040-01-411-8928

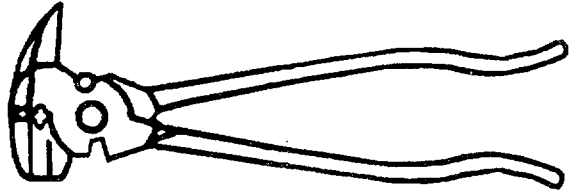
ASSAULT BREACHER KIT COMPONENTS

NOMENCLATURE: Pliers, Fence

NSN: 5120-00-293-3485

PART NUMBER: GGG471TYPE16

CAGE: 81348



DESCRIPTION AND FUNCTION

These pliers are designed for wire fencing work. They feature a hammer head on one jaw and a pulling point for staple removal on the second jaw. Additional features include two side wire cutters and two eyes for twisting and splicing wire. These features allow the pliers to function as staple puller, splicer, wire cutter, pincer and hammer. One pair of Fence Pliers is provided with each Assault Breacher Kit.

TECHNICAL CHARACTERISTICS

Length	10 in.
Jaw Width	9/16 in.
Specification/Standard Data	Type 16

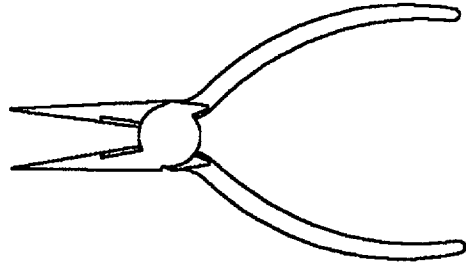
ASSAULT BREACHER KIT COMPONENTS

NOMENCLATURE: Pliers, Needle Nose

NSN: 5120-00-878-6518

PART NUMBER: E701

CAGE: 55719



DESCRIPTION AND FUNCTION

These Needle Nose Pliers are useful for gripping small parts and bending wire and small diameter rods. They are constructed from forged steel with a corrosion preventive coating. Gripping surfaces are smooth. A spring in the handle keeps jaws open. The handles have insulated cushion grips. One pair is provided with each Assault Breacher Kit.

TECHNICAL CHARACTERISTICS

Length	6-1/2 in.
Jaw Width	2-3/16 in.
Tip Width	1/16 in.

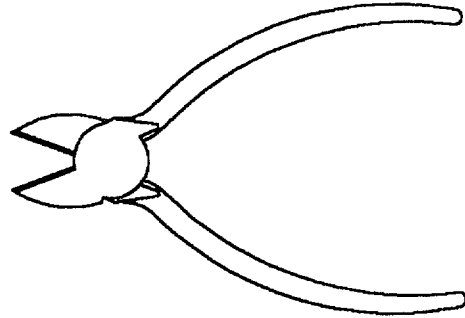
ASSAULT BREACHER KIT COMPONENTS

NOMENCLATURE: Pliers, Diagonal
Cutting

NSN: 5110-00-239-8253

PART NUMBER: 86P

CAGE: 55719



DESCRIPTION AND FUNCTION

These short nosed, drop-forged alloy steel pliers have a polished head with corrosion preventive coating. They are intended for cutting wire close to a flat surface. The cutting surface is angled at 15 degrees. Two pair of Diagonal Cutting Pliers are provided with each Assault Breacher Kit.

TECHNICAL CHARACTERISTICS

Length	6 in.
Jaw Width	13/16 in.
Jaw Length	1-13/16 in.
Specification/Standard Data	STD 80204-ANSI B107.11-1983

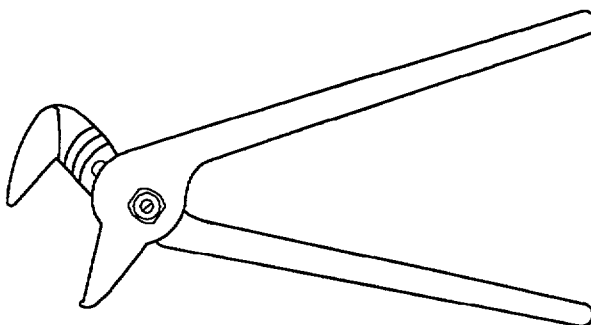
ASSAULT BREACHER KIT COMPONENTS

NOMENCLATURE: Pliers, Slip Joint

NSN: 5120-00-278-0352

PART NUMBER: 8195590

CAGE: 18876



DESCRIPTION AND FUNCTION

These straight jaw pliers have grooved gripping surfaces for a firm hold. These pliers, including the bare handles, are fabricated from forged steel with nickel or chrome plating. They have an angled nose and four adjustment positions. One pair of Slip Joint Pliers is provided with each Assault Breacher Kit.

TECHNICAL CHARACTERISTICS

Length	10 in.
Minimum Grip	1-3/8 in.
Jaw Width	1-5/8 in.
Specification/Standard Data	Conforms to GGG-P-471 Type 2, Class 1, Grade A, Size 10

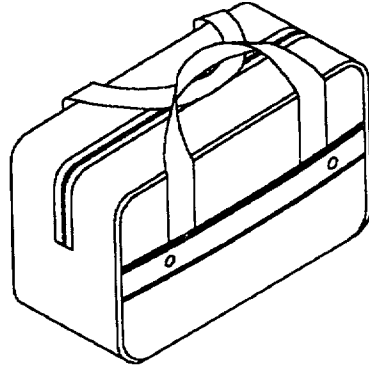
ASSAULT BREACHER KIT COMPONENTS

NOMENCLATURE: Pouch, Mechanics
Tool

NSN: 5140-00-329-4306

PART NUMBER: 50J8016

CAGE: 80049



DESCRIPTION AND FUNCTION

This pouch has four tool pockets on the inside and three tool pockets with a flap on the outside. The bottom is stiffened with composition board. A zipper closure is located on the full length of the top and extends two inches downward on each end. Two carrying handles are formed from webbing. Manufactured from cotton duck. Color is olive drab. One Mechanics Tool Pouch is provided with each Assault Breacher Kit.

TECHNICAL CHARACTERISTICS

Dimensions 11-1/2 in. (L), 5-1/4 in. (W), 7 in. (H)

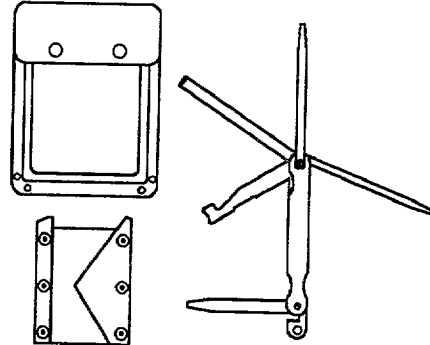
ASSAULT BREACHER KIT COMPONENTS

NOMENCLATURE: Puller, Lock Cylinder

NSN: 5180-01-267-9522

PART NUMBER: E630-05

CAGE: OSRL5



DESCRIPTION AND FUNCTION

A forcible entry tool kit used to extract lock cylinders. The kit consists of a K-tool, a Kerry Key, a Shove knife, and a set of regular and square key tools. The K-tool is a 5 in. square device that grips the face of lock cylinders. A loop accepts a crow bar or hooligan tool for prying out the lock cylinder face. The Kerry Key is a combination of implements designed to operate through-the-lock to operate slide bolts and turn knobs. The shove knife is used to open spring latches. Key tools are used to operate the throw mechanism once the lock cylinder has been removed. Fabricated from high alloy steel. An operation manual and leather storage pouch are provided. One Lock Cylinder Puller is provided with each Assault Breacher Kit.

MAJOR COMPONENTS

<u>NOMENCLATURE</u>	<u>U/I</u>	<u>QTY</u>	<u>NOMENCLATURE</u>	<u>U/I</u>	<u>QTY</u>
K-Tool	EA	1	Leather Pouch	EA	1
Set Key Tools	EA	1	Kerry Key	EA	1
Operations Manual	EA	1	Shove Knife	EA	1

REFERENCES

See Breacher's Handbook Volume 1, Chapter 5 for application procedures.

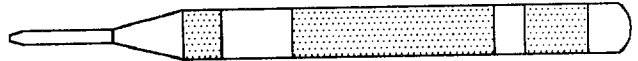
ASSAULT BREACHER KIT COMPONENTS

NOMENCLATURE: Punch, Center,
Automatic

NSN: 5120-00-142-5269

PART NUMBER: 599-771-3

CAGE: 09058



DESCRIPTION AND FUNCTION

This automatic adjustable center punch dimples metal and other materials without striking with a hammer. It may be used to break car and building windows by placing the point in the lower corner of a window and pushing until the window shatters. This technique is effective only on glass windows, not plexiglass or lexan windows. Also useful in making a starting dimple when drilling metal. Constructed from brass and steel. One Automatic Center Punch is provided with each Assault Breacher Kit.

TECHNICAL CHARACTERISTICS

Dimensions 6 in. lg, 9/16 in. dia

REFERENCES

Refer to Breacher's Handbook Volume 1, Chapter 5 for application procedures.

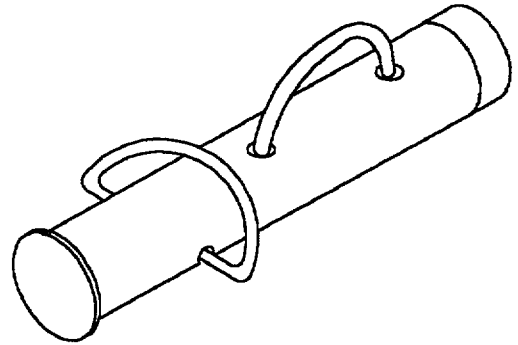
ASSAULT BREACHER KIT COMPONENTS

NOMENCLATURE: Ram, Battering

NSN: 4240-01-435-8737

PART NUMBER: E500-35

CAGE: OSRL5



DESCRIPTION AND FUNCTION

Used for forceful entry of doors and windows. Operated by one person. Provided with non-conductive, no-slip semi-flexible grips. One Battering Ram is provided with each Assault Breacher Kit.

TECHNICAL CHARACTERISTICS

Length	30 in.
Weight	35 lbs
Kinetic Energy	In excess of 14,000 lbs

REFERENCES

Refer to Breacher's Handbook, Volume 1, Chapter 5 for application procedures.

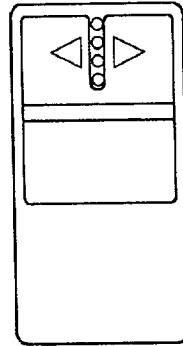
ASSAULT BREACHER KIT COMPONENTS

NOMENCLATURE: Stud Finder, Density

NSN: TBD

PART NUMBER: 8524T11

CAGE: 2V507



DESCRIPTION AND FUNCTION

Used to locate wooden structural members and fire blocks in buildings to facilitate entry or demolition. Operates electronically on walls, joists and acoustically sprayed ceilings. Powered by a 9-volt battery. Two Stud Finders are provided with each Assault Breacher Kit.

TECHNICAL CHARACTERISTICS

Dimensions 5.5 in. (L), 2.5 in. (W), 1.25 in. (H)
 Weight 2 oz.

ASSOCIATED COMPONENTS

SUPPLY SYSTEM RESPONSIBILITY

<u>NOMENCLATURE</u>	<u>DESCRIPTION</u>	<u>U/I</u>	<u>QTY</u>	<u>P/N</u>	<u>CAGE</u>	<u>NSN</u>
Battery, Non-rechargeable	9-volt, alkaline, snap on terminal connectors, rectangular with round corners, 1 in. lg, 0.7 in. w, 1.9 in. h; Shelf life, one year	PG	AR	MN1604	90303	6135-00-900-2139

ASSAULT BREACHER KIT COMPONENTS

NOMENCLATURE: Tack

NSN: 5315-00-188-2456

PART NUMBER: MS90722-4

CAGE: 96906



DESCRIPTION AND FUNCTION

Flat head type with a tapered round shank. Ordered by the pound. Using unit responsibility.

TECHNICAL CHARACTERISTICS

Head Diameter	0.22 in.
Shank	1/2 in. lg, 0.058 in. dia
Material	Steel
Finish	Blue

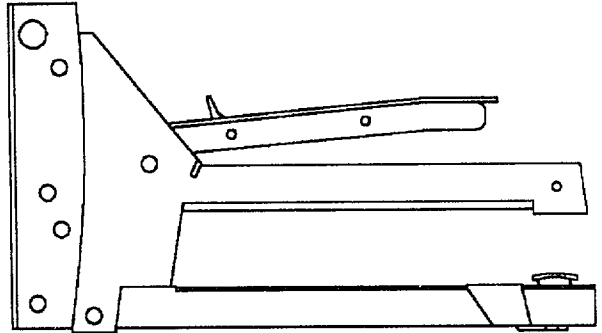
ASSAULT BREACHER KIT COMPONENTS

NOMENCLATURE: Tacker, Staple Gun

NSN: 5120-00-889-1796

PART NUMBER: T5-8

CAGE: 08075



DESCRIPTION AND FUNCTION

The heavy-duty Staple Gun Tacker is used for fastening thick materials. Accommodates strips of 84 heavy duty 1/2-inch wide flat top staples with 1/4, 5/16, 3/8 or 1/2 inch long legs. Manually operated, compression type. A steel spring mechanism returns the handle to the starting position and feeds the next staple. One Staple Gun Tacker is provided with each Assault Breacher Kit.

TECHNICAL CHARACTERISTICS

Length 7 in.
 Weight 1.9 lbs

ASSOCIATED COMPONENTS

USING UNIT RESPONSIBILITY

<u>NOMENCLATURE</u>	<u>DESCRIPTION</u>	<u>U/I</u>	<u>QTY</u>	<u>P/N</u>	<u>CAGE</u>	<u>NSN</u>
Staple	Steel, straight, rectangular stock, blunt point, 1/2 in. leg length	BX	AR	GGG-T-20	81348	5315-00-889-2605

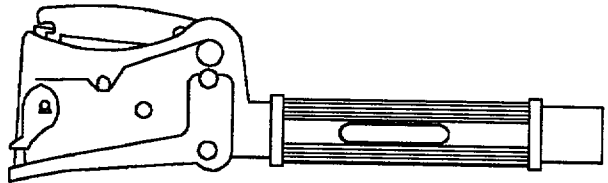
ASSAULT BREACHER KIT COMPONENTS

NOMENCLATURE: Tacker,
Staple Hammer

NSN: 5120-00-171-1643

PART NUMBER: H2B

CAGE: 08075



DESCRIPTION AND FUNCTION

Hammer action stapler. Manually operated. Accommodates strips of 79 preformed flat crown staples that are 11/32-inch wide with either 1/4 or 3/8 in. long legs. One Staple Hammer Tacker is provided with each Assault Breacher Kit.

TECHNICAL CHARACTERISTICS

Length 11 in.
Weight 4.7 lbs

ASSOCIATED COMPONENTS

USING UNIT RESPONSIBILITY

<u>NOMENCLATURE</u>	<u>DESCRIPTION</u>	<u>U/I</u>	<u>QTY</u>	<u>P/N</u>	<u>CAGE</u>	<u>NSN</u>
Staple	Steel; arched head, chisel points, 3/8 lg legs	BX	AR	SHCR-5019	08075	5315-00-132-8303

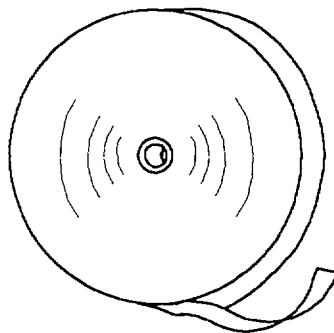
ASSAULT BREACHER KIT COMPONENTS

NOMENCLATURE: Tape, Engineer,
Textile

NSN: 8315-00-255-7662

PART NUMBER: MIL-T-43566

CAGE: 81349



DESCRIPTION AND FUNCTION

Textile Tape, Engineer is used to layout a mock floor plan for rehearsal purposes. Made from cotton or polyester, bleached white. Using unit responsibility. Quantity, as required.

TECHNICAL CHARACTERISTICS

Color	White
Width	2 in.
Roll Size	500 ft
Breaking Strength	235 lbs

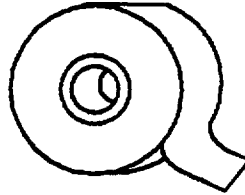
ASSAULT BREACHER KIT COMPONENTS

NOMENCLATURE: Tape, Insulation,
Electrical

NSN: 5970-00-419-4291

PART NUMBER: 173-4INBLACK

CAGE: 75037



DESCRIPTION AND FUNCTION

Electrical Insulation Tape is used for general purposes. Made from black plastic. Pressure sensitive adhesive is on one side. Using unit responsibility. Quantity, as required.

TECHNICAL CHARACTERISTICS

Width	3/4 in.
Roll Size	36 yds
Temperature Rating	-22°F to 150°F
Thickness	0.0085 in.
Dielectric rating	(not rated)

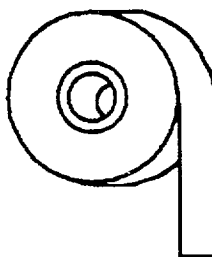
ASSAULT BREACHER KIT COMPONENTS

NOMENCLATURE: Tape, Pressure Sensitive

NSN: 7510-00-165-6560

PART NUMBER: 44081-1/4IN

CAGE: 52152



DESCRIPTION AND FUNCTION

Pressure Sensitive Tape has adhesive on both sides. Color black. Made from vinyl foam. Using unit responsibility. Quantity, as required.

TECHNICAL CHARACTERISTICS

Width	1-1/4 in.
Roll Size	36 yds
Operating Temperature Range (for best adhesion)	70 to 120°F

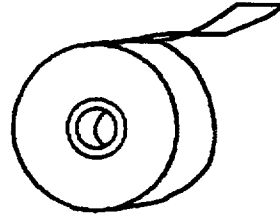
ASSAULT BREACHER KIT COMPONENTS

NOMENCLATURE: Tape, Pressure Sensitive

NSN: 7510-00-890-9874

PART NUMBER: PPP-T-60E

CAGE: 81348



DESCRIPTION AND FUNCTION

A general purpose Pressure Sensitive Tape with adhesive on one side. Rated for all temperatures. Made from cotton or linen fabric. Waterproof. Olive drab in color. Using unit responsibility. Quantity, as required.

TECHNICAL CHARACTERISTICS

Thickness	0.015 in.
Width	3 in.
Roll Size	60 yds
Specification/Standard Data	Conforms to PPP-T-60 Type 4, Class 1

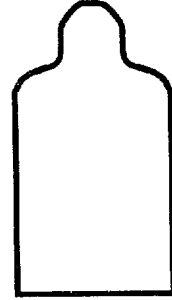
ASSAULT BREACHER KIT COMPONENTS

NOMENCLATURE: Target, Kneeling

NSN: 6920-00-795-1806

PART NUMBER: MIL-T-13560

CAGE: 81349



DESCRIPTION AND FUNCTION

Used in the construction of breaching charges. Wax impregnated to be water resistant. Using unit responsibility. Quantity, as required.

TECHNICAL CHARACTERISTICS

Height	40 in.
Width	20 in.
Material	Pasteboard, wax impregnated
Silhouetted Image	Kneeling

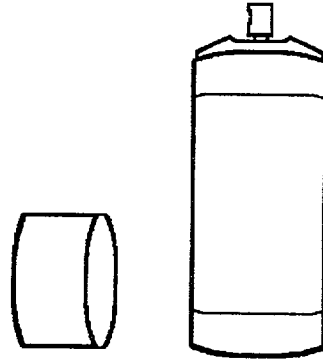
ASSAULT BREACHER KIT COMPONENTS

NOMENCLATURE: Thermoplastic,
Contact Adhesive

NSN: 8040-00-995-7080

PART NUMBER: 8074

CAGE: 04963



DESCRIPTION AND FUNCTION

A general purpose contact adhesive spray in an aerosol can. Used for bonding upholstery cloth, floor mats, carpeting, and similar materials to painted or bare metal and/or wood. Rated for all temperatures. A clear, plastic-based compound that is waterproof. Using unit responsibility. Quantity, as required.

TECHNICAL CHARACTERISTICS

Size of Can 2-3/4 in. (W) and 8-1/4 in. (H)
 Weight 24 oz

ADHESIVE SPRAY SUITABLE SUBSTITUTE

<u>ITEM</u>	<u>P/N</u>	<u>CAGE</u>	<u>NSN</u>
Adhesive, Photographic	6094	04963	8040-01-120-4009

TM 24562A-14

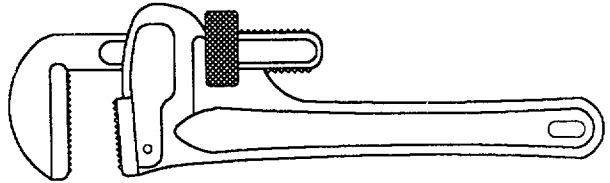
ASSAULT BREACHER KIT COMPONENTS

NOMENCLATURE: Wrench, Pipe

NSN: 5120-00-277-1486

PART NUMBER: TKCX1H

CAGE: 19204



DESCRIPTION AND FUNCTION

Heavy duty adjustable wrench. Consists of a handle with a fixed steel jaw and frame, a moveable steel upper jaw and a freely operating steel adjusting nut. One Pipe Wrench is provided with each Assault Breacher Kit.

TECHNICAL CHARACTERISTICS

Length 14 in.
Jaw Opening 1/2 to 1-1/2 in.
Specification/Standard Data Conforms to GGG-W-651 Type 2, Class A

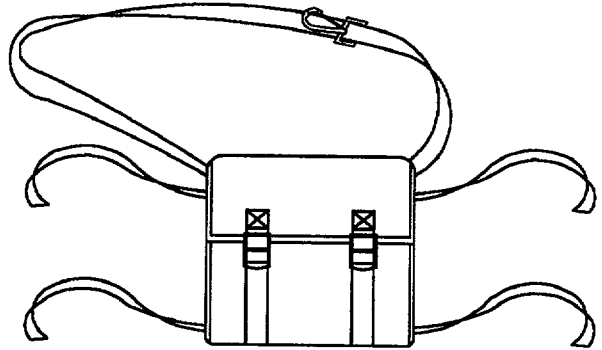
ASSAULT BREACHER KIT DEMOLITION EQUIPMENT COMPONENTS

NOMENCLATURE: Bag, Demolition
Equipment

NSN: 1375-00-212-4597

PART NUMBER: 9204775

CAGE: 19203



DESCRIPTION AND FUNCTION

Cotton webbing. Four Demolition Equipment Bags are provided with each Assault Breacher Kit.

TECHNICAL CHARACTERISTICS

Dimensions	10.5 in. lg, 9 in. w
Material	Cotton webbing, type 2, MIL-N-530
Color	Olive drab, No. 34087, Fed Std 595

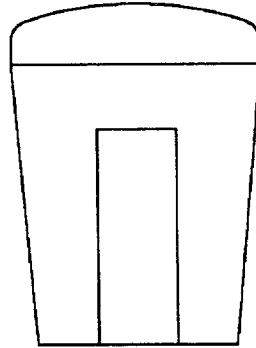
**ASSAULT BREACHER KIT
DEMOLITION EQUIPMENT COMPONENTS**

NOMENCLATURE: Box, Blasting Cap

NSN: 8140-00-168-6881

PART NUMBER: 9257217

CAGE: 19203



DESCRIPTION AND FUNCTION

Plastic. Four Blasting Cap Boxes are provided with each Assault Breacher Kit.

TECHNICAL CHARACTERISTICS

Dimensions	2.125 in. (L), 1.45 in. (W), 2.54 in. (H)
Cap Capacity	10

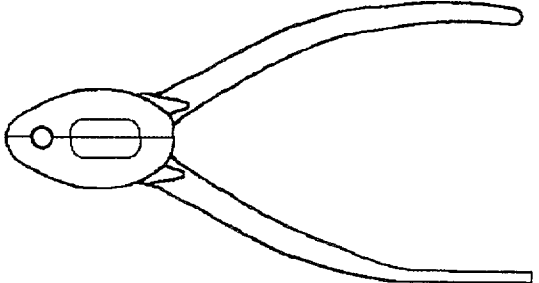
**ASSAULT BREACHER KIT
DEMOLITION EQUIPMENT COMPONENTS**

NOMENCLATURE: Crimper, Blasting
Cap

NSN: 5120-01-313-6937

PART NUMBER: 5762416

CAGE: 53711



DESCRIPTION AND FUNCTION

Crimper, EOD, plier type tool equipped with fuse cutter. Four Blasting Cap Crimpers are provided with each Assault Breacher Kit.

TECHNICAL CHARACTERISTICS

Length	6 in.
Model	M2
Specification	WS32945

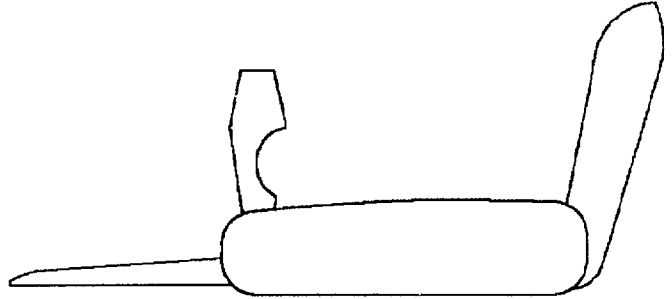
**ASSAULT BREACHER KIT
DEMOLITION EQUIPMENT COMPONENTS**

NOMENCLATURE: Knife, Pocket

NSN: 5110-00-162-2205

PART NUMBER: 640045R

CAGE: 71332



DESCRIPTION AND FUNCTION

The Pocket Knife contains one cutting blade, a can opener, and a punch blade. Four Pocket Knives are provided with each Assault Breacher Kit.

TECHNICAL CHARACTERISTICS

Cutting Blade Dimension	3.125 in. lg
Specifications	MIL-K-818C

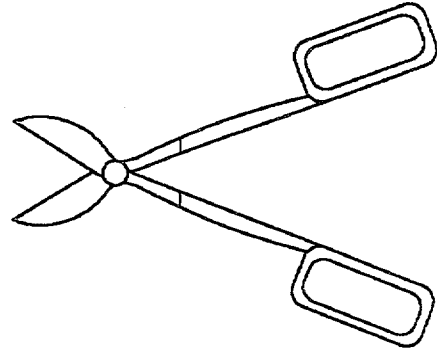
**ASSAULT BREACHER KIT
DEMOLITION EQUIPMENT COMPONENTS**

NOMENCLATURE: Shears, Metal
Cutting, Hand

NSN: 5110-00-289-8659

PART NUMBER: GGG-S-291

CAGE: 81348



DESCRIPTION AND FUNCTION

Two Metal Cutting Shears are provided with each Assault Breacher Kit.

TECHNICAL CHARACTERISTICS

Length 8 in. lg
Specification GGG-S-291, Type 2, Class 1, Style B

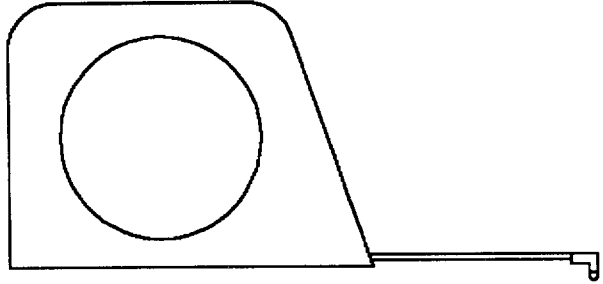
**ASSAULT BREACHER KIT
DEMOLITION EQUIPMENT COMPONENTS**

NOMENCLATURE: Tape, Measuring

NSN: 5210-00-245-0301

PART NUMBER: GGG-T-106

CAGE: 81348



DESCRIPTION AND FUNCTION

Four Measuring Tapes are provided with each Assault Breacher Kit. Increments of inches/feet and Decimeters/Meters. Smallest increments: 1/16" and 1 mm.

TECHNICAL CHARACTERISTICS

Measuring length	6 ft
Width	0.5 in.
Material	Steel
Winding Method	Pull-Push
Specifications	GGG-T-106, Type 5, Class A

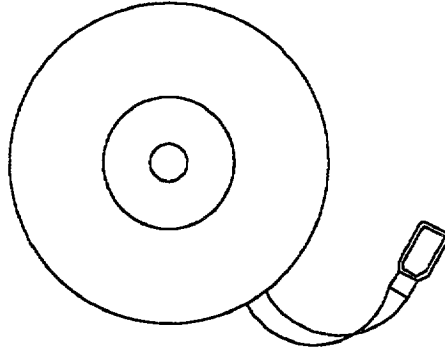
**ASSAULT BREACHER KIT
DEMOLITION EQUIPMENT COMPONENTS**

NOMENCLATURE: Tape, Measuring

NSN: 5210-00-554-7092

PART NUMBER: GGG-T-106

CAGE: 81348



DESCRIPTION AND FUNCTION

Two Measuring Tapes are provided with each Assault Breacher Kit.

TECHNICAL CHARACTERISTICS

Measuring length	100 ft
Width	0.625 in.
Material	Fiber, Synthetic, Woven
Winding Method	Hand Crank
Specifications	GGG-T-106 Type 1, Class B, Case V

CHAPTER 7
ASSAULT BREACHER TORCH KIT

ASSAULT BREACHER TORCH KIT

<u>TYPE</u>	<u>TAMCN</u>	<u>NSN</u>	<u>P/N</u>	<u>CAGE</u>	<u>ID</u>
Industrial	K4492 IIE	TBD	PC/TAC-OPS-B	59491	XXXXXX
Submersible	K4495 IIE	TBD	PC/TAC-OPS-A	59491	XXXXXX

NOTE
REFER TO PAGES 7-5 THROUGH 7-12 FOR
INDIVIDUAL EQUIPMENT ILLUSTRATIONS

DESCRIPTION AND FUNCTION

The Assault Breacher Torch Kit is an adaptation of a commercial oxygen cutting lance. It may be used to melt, burn through, or vaporize objects and mechanisms in order to gain entry to secured areas. There are two variations, the Industrial Model and the Submersible Model.

OPERATIONAL KIT TECHNICAL CHARACTERISTICS

Dimensions	34 in. (L), 25 in. (W), 17.5 in. (H)
Square	5.9 sqft
Cube	8.6 cuft
Weight	73 lbs

TRAINING KIT TECHNICAL CHARACTERISTICS

Dimensions	17 in. (L), 20 in. (W), 11.5 in. (H)
Square	2.4 sqft
Cube	2.3 cuft
Weight	41 lbs

MAJOR COMPONENTS

<u>NOMENCLATURE</u>	<u>U/I</u>	<u>QTY</u>	<u>NOMENCLATURE</u>	<u>U/I</u>	<u>QTY</u>
OPERATIONAL KIT:			Hose Assembly, Oxygen, 10 ft	EA	1
Back Harness Assembly	EA	1	Shield, Leather	EA	1
Belt, Nylon, w/ D-Rings	EA	1	Shield Holder, Leather	EA	1
Case, Operational Kit	EA	1	Striker Plate Assembly	EA	1
Cylinder, Oxygen	EA	1	Torch, Lightweight, Training	EA	1
Gauge, High Pressure	EA	1	SUPPORT EQUIPMENT:		
Hose Assembly, Oxygen, 5 ft	EA	1	Coat, Leather, XXXL	EA	1
Pouch, Ignitor	EA	1	Glasses, Safety, #5 Lens	PR	3
Quiver, Rod	EA	1	Gloves, Leather	PR	1
Regulator, Industrial			Cover, Backpack	EA	1
-OR- Regulator, Submersible	EA	1	Helmet	EA	1
Rod, Extender, 14 in.	EA	1	Helmet Bracket, Flip, Shield	EA	1
Shield, Leather	EA	1	Shield, Face #5 Shade (visor)	EA	1
Torch, Lightweight, Operational	EA	1	Shield, Neck, Helmet	EA	1
TRAINING KIT:			CONSUMABLES:		
Battery, Power Station w/ connectors	EA	1	Collet, Kit, 1/4 inch	EA	2
Cable, Power, 15 ft, w/ connectors	EA	1	Collet, Kit, 3/8 inch	EA	2
Case, Training Kit	EA	1	Cutting Rod, 1/4 in. x 18 in.	BX	AR
Clamp, Heavy Duty	EA	2	Cutting Rod, 3/8 in. x 18 in.	BX	AR
Divider Panel, Training Kit Case	EA	1	Cutting Rod, 3/8 in. x 36 in.	BX	AR
Hose Assembly, Oxygen, 5 ft	EA	1	Rod Ignitor	BX	AR

ASSAULT BREACHER TORCH KIT (Continued)

REFERENCES

Letter of Adoption and Procurement, Number 15-97, Parts 1 and 2 for the Assault Breacher Torch Kit - Submersible

Letter of Adoption and Procurement, Number 34-96, Parts 1 and 2 for the Assault Breacher Torch Kit - Industrial

ULSS-001597-15, User's Logistic Support Summary for the Assault Breacher Torch Kit - Submersible, NSN TBD

ULSS-003496-15, User's Logistic Support Summary for the Assault Breacher Torch Kit - Industrial, NSN TBD

TM XXXXXA-12&P, Operational Instructions and Organizational Maintenance with Illustrated Parts Breakdown for the Assault Breacher Torch Kit

SPECIFIC INSTRUCTIONS

Organizational and limited intermediate level maintenance are necessary but depot level is not required. Maintenance of both the Industrial and Submersible Assault Breacher Torch Kit includes the Operational Kit, the Training Kit, and all other component items. All maintenance will be in accordance with the overpacked manufacturer's instructions and Marine Corps Technical Manual, TM XXXXXA-12&P, Operational Instructions and Organizational Maintenance with Illustrated Parts Breakdown.

Organizational Level Maintenance. First echelon maintenance will be conducted by the using unit and will include proper care, cleaning, and storage of ABTK components. Regular care and cleaning is required to ensure serviceability and accountability. The individual items shall be cleaned/maintained in accordance with the included manufacturer's instructions and Marine Corps TM XXXXXA-12&P, Operational Instructions and Organizational Maintenance with Illustrated Parts Breakdown. Second echelon maintenance will also be performed by the using unit. All preventive and corrective maintenance actions and procedures needed to sustain the ABTK are delineated in the Technical Manual and should be performed and/or supervised by a graduate of the Marine Corps Assault Breacher School. When a component of the kit becomes unserviceable a replacement item will be ordered. All costs incurred for maintenance, repair, and/or replacement is the responsibility of the using unit. Disposal of unserviceable (SAC 1) items will be in accordance with local directives and procedures.

Intermediate Level Maintenance. Limited third/fourth echelon maintenance will include any repairs beyond the capability of the using unit and as required special repairs and inspections.

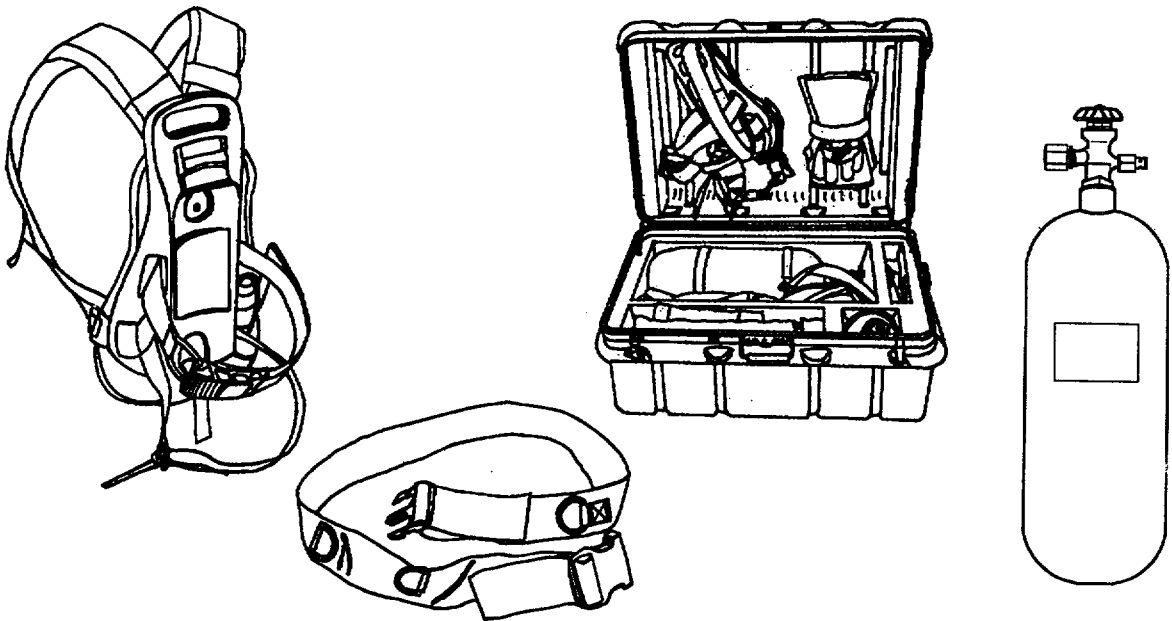
Depot Level Maintenance. Depot level maintenance actions are not anticipated.

Calibration Requirements. The Oxygen (O₂) Pressure Gauge will require calibration per MCO 4733.1 to ensure satisfactory operation. Calibration for this item is already performed by/through Marine Corps activities.

Special Repairs and Inspections. Regulator repairs shall be conducted only by qualified personnel trained and authorized to perform work on high pressure oxygen regulators. Inspections and repairs of oxygen cylinders and oxygen cylinder valves shall only be conducted by qualified personnel trained and authorized to perform work on high pressure oxygen cylinders and oxygen cylinder valves. The composite oxygen cylinder must be inspected and hydrostatic tested every three years. The maximum service life for this cylinder, as allowed by the U.S. Department of Transportation, is 15 years.

**ASSAULT BREACHER TORCH KIT
OPERATIONAL KIT COMPONENTS**

<u>NOMENCLATURE</u>	<u>NSN</u>	<u>P/N</u>	<u>CAGE</u>
Back Harness Assembly	TBD	PC/TAC-BHA	59491
Belt, Nylon, w/D-Rings	TBD	PC/NB	59491
Case, Operational Kit	TBD	PC/C-3122-15	59491
Cylinder, Composite, Oxygen	TBD	BOC-545A	59491



DESCRIPTION AND FUNCTION

The Back Harness Assembly is made of plastic and nylon webbing and is used to make the oxygen cylinder man-portable.

The Belt is made of nylon webbing and fits around the waist. The Belt is used to carry components of the Assault Breacher Torch Kit.

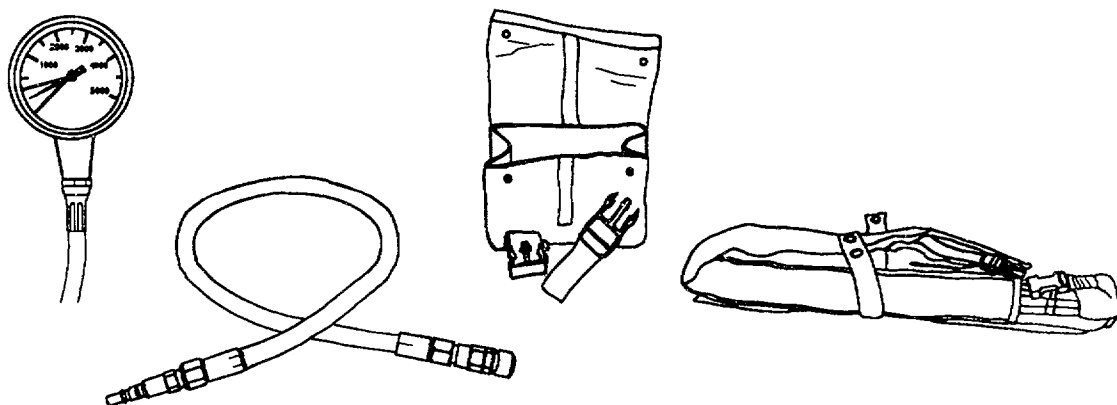
The Case is made of polyethylene with steel and aluminum hardware and is used to store and transport the Operational Torch Kit.

The Oxygen Cylinder is made of an aluminum cylinder wrapped in a Kevlar and fiberglass composite to be lightweight and durable. The Oxygen Cylinder contains 65 cubic feet of oxygen (at 3000 psi) and is used to fuel the torch kit.

One of each of the above components is provided with the Assault Breacher Torch Kit.

**ASSAULT BREACHER TORCH KIT
OPERATIONAL KIT COMPONENTS**

<u>NOMENCLATURE</u>	<u>NSN</u>	<u>P/N</u>	<u>CAGE</u>
Gauge, High Pressure	TBD	PC/TAC-G	59491
Hose Assembly, Oxygen, 5'	TBD	PC/TAC-H-5	59491
Pouch, Ignitor	TBD	PC/NP	59491
Quiver, Rod	TBD	PC/NRHL	59491



DESCRIPTION AND FUNCTION

The High Pressure Gauge is used to display the pressure within the Oxygen Cylinder. It measures pressure from 0 - 5000 psi (in 500 psi increments).

The Hose Assembly connects the oxygen cylinder to the torch head.

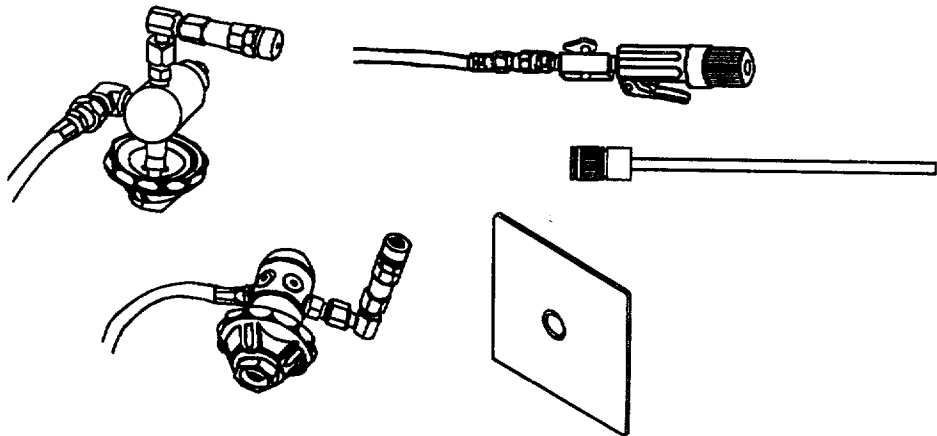
The Ignitor Pouch is made of nylon webbing and is used to store and carry the ignitors. The Ignitor Pouch is carried on the Belt.

The Quiver is made of nylon webbing and is used to transport any length cutting rods (with ignitors pre-attached).

One each of the above components is provided with the Assault Breacher Torch Kit.

**ASSAULT BREACHER TORCH KIT
OPERATIONAL KIT COMPONENTS**

<u>NOMENCLATURE</u>	<u>NSN</u>	<u>P/N</u>	<u>CAGE</u>
Regulator, Oxygen, Industrial OR Regulator, Oxygen, Submersible	TBD	PC/TAC-R-B	59491
Rod Extender, 14" Shield, Leather Torch, Lightweight Operational	TBD	PC/TAC-XT	59491
	TBD	PC/LSS	59491
	TBD	PC/TAC-T	59491



DESCRIPTION AND FUNCTION

The Industrial Oxygen Regulator is made of brass and is used for torch operations above water.

The Submersible Oxygen Regulator is made of stainless steel and may be used for underwater torch operations, down to a depth of 60 feet, in addition to being used above water.

The Rod Extender allows the tip of the cutting rod to be extended an additional 14 inches beyond the torch head.

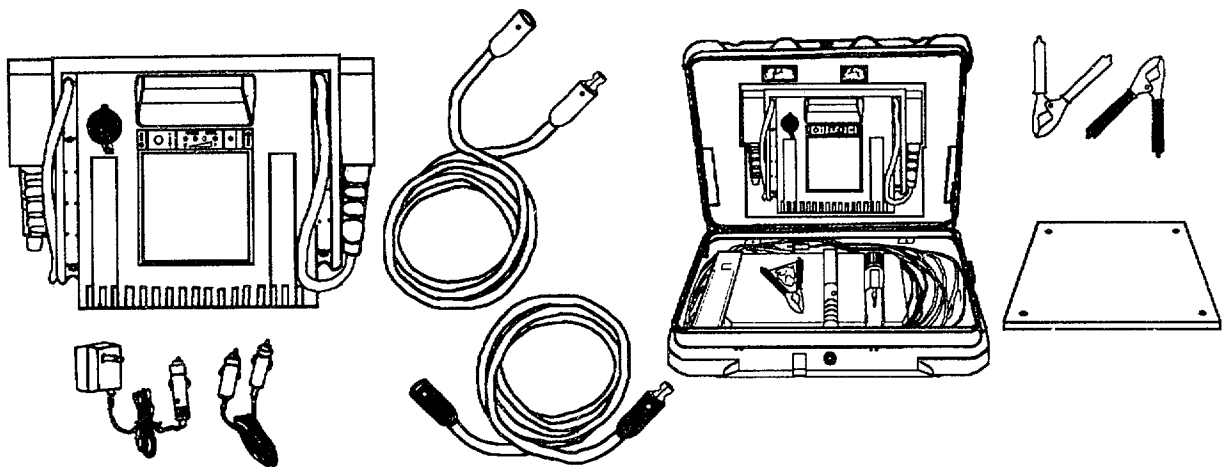
The Leather Shield is made of cowhide leather and measures 6x6 inches. It is used to protect the hand and clothing from flying sparks and metal during torch operations.

The Lightweight Operational Torch is used to control the flow of oxygen and to control the employment of the cutting rod during torch operations.

One regulator (mission dependent) and one each of the rest of the above components are provided with the Assault Breacher Torch Kit.

**ASSAULT BREACHER TORCH KIT
TRAINING KIT COMPONENTS**

<u>NOMENCLATURE</u>	<u>NSN</u>	<u>P/N</u>	<u>CAGE</u>
Assault Breacher Torch Kit - Training Kit	TBD	PC/TAC-TRG	59491
Battery, Power Station w/ Connectors	TBD	PC/BPS-250A	59491
Cable, Power, 15' w/ Connectors	TBD	PC/TAC-PC-15	59491
Case, Training Kit	TBD	PC/C-1814-10	59491
Divider Panel	TBD	PC/C-1814-D	59491
Clamp, Battery Adapter	TBD	PC/BAK	59491



DESCRIPTION AND FUNCTION

The Battery Power Station provides DC power to the Assault Breacher Torch Kit. For recharging, it has connectors for connection with an automobile battery through the cigarette lighter port or a transformer for connection with AC house power.

The Power Cables connect the Lightweight Training Torch head to the Battery Power Station. The two 15-foot Power Cables may also be used with the heavy duty Clamps in order to power the torch using an alternate DC power source.

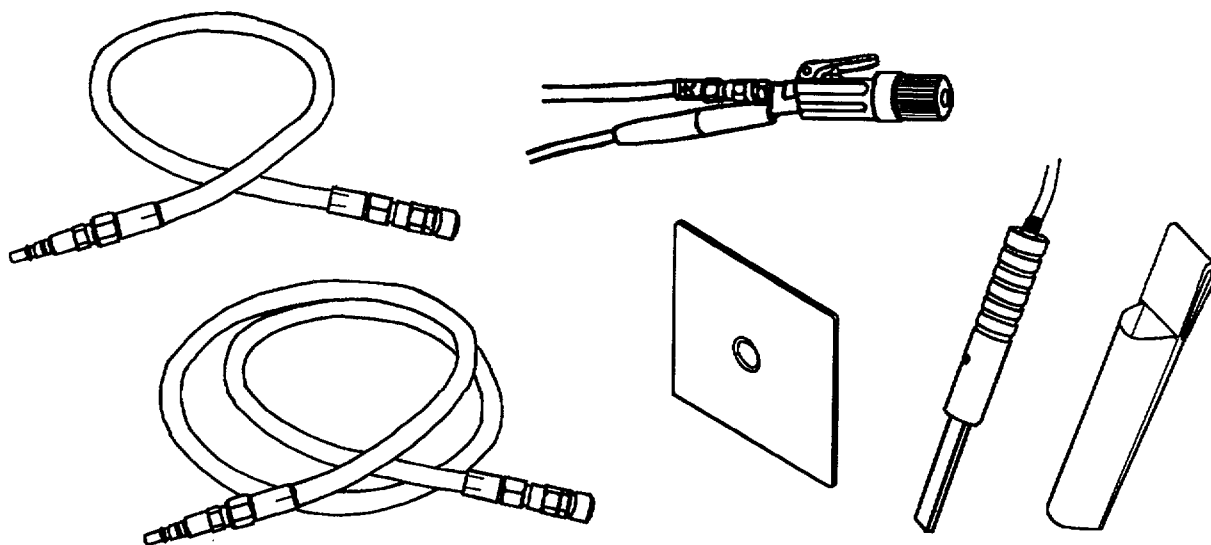
The Case is made of polyethylene with steel and aluminum hardware and is used to store and transport the Training Torch Kit. The Divider Panel is made of poly foam and is used to separate and protect the torch kit components within the Training Torch Case.

The Battery Adapter Clamps are used to connect the Lightweight Training Torch and the Striker Plate Assembly to alternative power sources. One clamp has a red handle, the other has black.

One each of the above components is provided with the Assault Breacher Torch Kit.

ASSAULT BREACHER TORCH KIT TRAINING KIT COMPONENTS

<u>NOMENCLATURE</u>	<u>NSN</u>	<u>P/N</u>	<u>CAGE</u>
Hose Assembly, Oxygen, 5'	TBD	PC/TAC-H-5	59491
Hose Assembly, Oxygen, 10'	TBD	PC/TAC-H-10	59491
Shield, Leather	TBD	PC/LSS	59491
Striker Holder, Leather	TBD	PC/LSH	59491
Striker Plate Assembly	TBD	PCRP-314A	59491
Torch, Lightweight, Training	TBD	PC/TAC-T-TR	59491



DESCRIPTION AND FUNCTION

The Hose Assembly is used to provide oxygen from the Oxygen Cylinder to the torch head. It is provided in both 5- and 10-foot lengths.

The Leather Shield is made of cowhide leather and measures 6x6 inches. It is used to protect the hand and clothing from flying sparks and metal during torch cutting operations.

The Striker Holder is made of leather and is used to transport the Striker Plate Assembly.

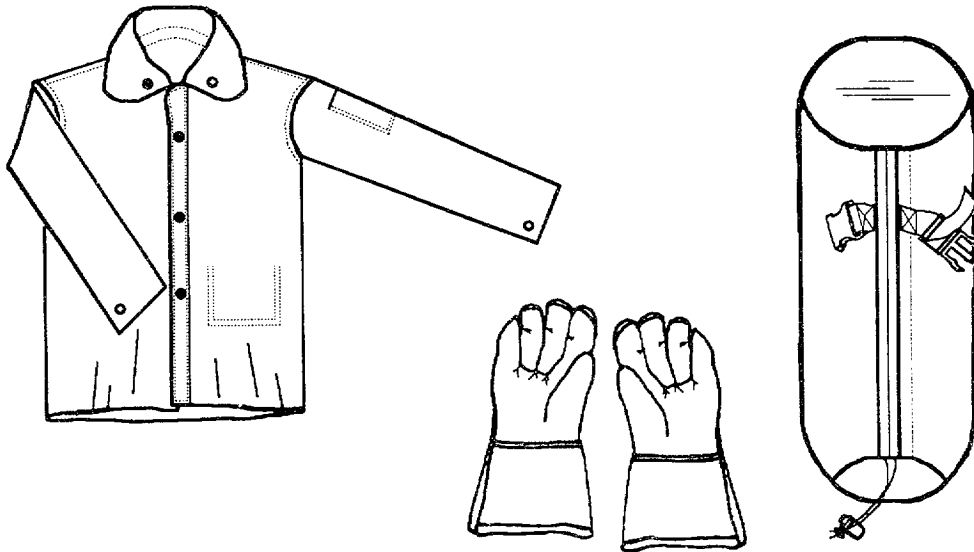
The Striker Plate Assembly is used to provide an electrical spark to ignite the torch head. It connects either directly to the Battery Power Station or to an alternative DC power source (using the Battery Adapter Clamps).

The Training Torch is used to train individuals in assault breaching operations.

One each of the above components is provided with the Assault Breacher Torch Kit.

**ASSAULT BREACHER TORCH KIT
SUPPORT EQUIPMENT COMPONENTS**

<u>NOMENCLATURE</u>	<u>NSN</u>	<u>P/N</u>	<u>CAGE</u>
Coat, Leather, XXXL	TBD	PC/LJ-3X	59491
Gloves, Leather	TBD	PC/WG	59491
Cover, Backpack	TBD	PC/NBC	59491



DESCRIPTION AND FUNCTION

The Coat is made of natural leather, cattlehide; with snap fastener. Full length coat that covers the entire front, back, and arms.

The Gloves are made of cattlehide leather; color, light gray; fiber material, cotton and wool; cuff type, gauntlet.

The Backpack Cover is made of water resistant nylon and is used to cover the regulator and oxygen cylinder; color, green.

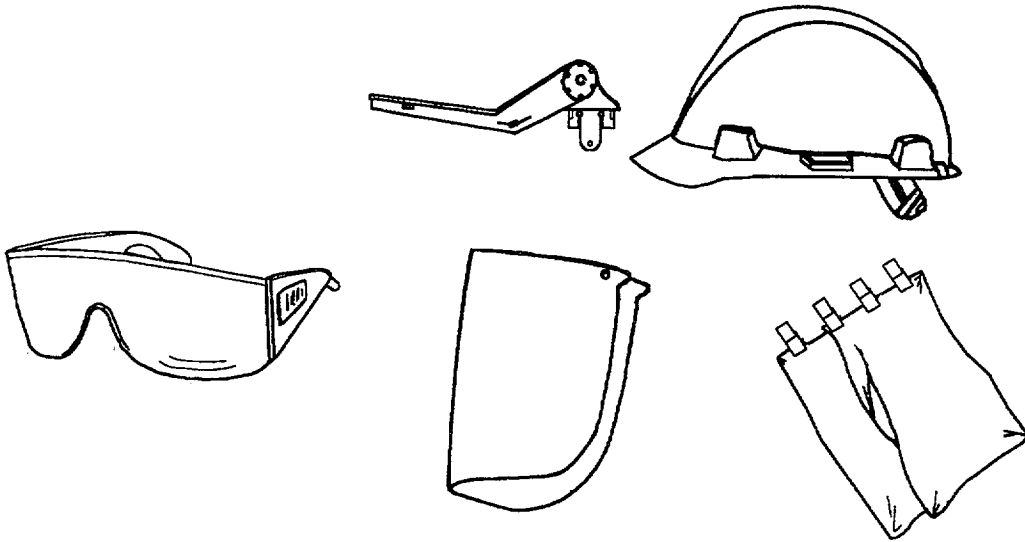
One each of the above components is provided with the Assault Breacher Torch Kit.

TECHNICAL CHARACTERISTICS

Coat Size XXX Large
 Glove Size Extra Large

**ASSAULT BREACHER TORCH KIT
SUPPORT EQUIPMENT COMPONENTS**

<u>NOMENCLATURE</u>	<u>NSN</u>	<u>P/N</u>	<u>CAGE</u>
Glasses, Safety	TBD	PC/SG-5	59491
Helmet	TBD	PC 475235	59491
Helmet Bracket, Flip, Shield	TBD	PC 804639	59491
Shield, Face (Visor)	TBD	PC 488137	59491
Shield, Neck, Helmet	TBD	PC/LNS	59491



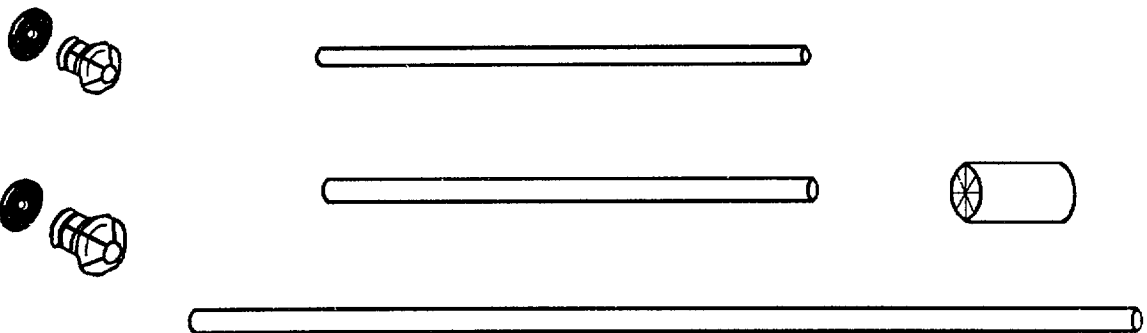
DESCRIPTION AND FUNCTION

The Safety Glasses are a No. 5 shade and are made of high impact plastic. Used during torch breaching operations to shield the eyes. Two pair of Safety Glasses are provided with the Assault Breacher Torch Kit.

The Helmet is made of high impact plastic and has several components attached. The Flip Shield Bracket attaches the No. 5 Face Shield (visor) to the Helmet to provide a hinged point lift up front for inspection. The Helmet Neck Shield is made of leather and provides protection to the neck area from flying sparks and metal. One Helmet (w/ bracket and face shield) is provided with the Assault Breacher Torch Kit.

**ASSAULT BREACHER TORCH KIT
CONSUMABLES**

<u>NOMENCLATURE</u>	<u>NSN</u>	<u>P/N</u>	<u>CAGE</u>	<u>U/I</u>
Collet Kit, 1/4"	TBD	TA2214	59491	EA
Collet Kit, 3/8"	TBD	TA2238	59491	EA
Cutting Rod, 1/4 x 18"	3439-01-411-8393	1418PC-25	59491	BX (139 items)
Cutting Rod, 3/8 x 18"	3439-01-411-7879	3818PC-25	59491	BX (68 items)
Cutting Rod, 3/8 x 36"	3439-01-411-3866	3836PC-25	59491	BX (33 items)
Rod Ignitor	TBD	PC/RFC-10	59491	BX (10 items)



DESCRIPTION AND FUNCTION

The Collet Kit (comprised of the collet and the collet washer) is used to mate the appropriately sized Cutting Rod to the torch. The Collet Kit comes in two sizes: 1/4 inch and 3/8 inch. Two of each size Collet Kit are provided with the Assault Breacher Torch Kit.

The Cutting Rod is used for cutting, gouging, and piercing selected target material. The Cutting Rod comes in two sizes: 1/4 inch and 3/8 inch diameter. The 3/8 inch rod comes in two lengths: 18 inches and 36 inches. The 1/4 inch rod comes in an 18 inch length only. Quantities are on an As Required basis.

The Rod Ignitor is used to instantaneously ignite the Cutting Rod when the inner seal of the Rod Ignitor cartridge is pierced by a cutting rod and pure oxygen is added. Quantities are on an As Required basis.

APPENDIX A
COMPONENTS PARTS LISTS

ASSAULT SUIT COMPONENTS LIST

NAME OF EQUIPMENT		COMPONENTS LIST			NSN									
<u>Assault Suit</u>					<u>8415-01-428-2341</u>									
ITEM NO	STOCK NUMBER	ITEM IDENTIFICATION	UNIT OF ISSUE	QTY USED IN UNIT	MONTH									
		SUPPLY SYSTEM RESPONSIBILITY												
1		ASSAULT SUIT (Individual sizes listed below)	EA	1										
2		X-SMALL SHORT	EA	AR										
3		X-SMALL REGULAR	EA	AR										
4		X-SMALL LONG	EA	AR										
5		SMALL SHORT	EA	AR										
6		SMALL REGULAR	EA	AR										
7		SMALL LONG	EA	AR										
8		MEDIUM SHORT	EA	AR										
9		MEDIUM REGULAR	EA	AR										
10		MEDIUM LONG	EA	AR										
11		LARGE SHORT	EA	AR										
12		LARGE REGULAR	EA	AR										
13		LARGE LONG	EA	AR										
14		X-LARGE SHORT	EA	AR										
15		X-LARGE REGULAR	EA	AR										
16		X-LARGE LONG	EA	AR										
17		BALACLAVA	EA	1										
18		GLOVES, CVC (Individual sizes listed below)	PR	1										
19	8415-01-074-9428	SIZE 5	PR	AR										
20	8415-01-074-9429	SIZE 6	PR	AR										
21	8415-01-074-9430	SIZE 7	PR	AR										
22	8415-01-074-9431	SIZE 8	PR	AR										
23	8415-01-074-9432	SIZE 9	PR	AR										
24	8415-01-074-9433	SIZE 10	PR	AR										
25	8415-01-074-9434	SIZE 11	PR	AR										

ASSAULT VEST SYSTEM COMPONENTS LIST

COMPONENTS LIST									
NAME OF EQUIPMENT <u>Assault Vest System</u>							NSN <u>8470-01-439-3072</u>		
ITEM NO	STOCK NUMBER	ITEM IDENTIFICATION	UNIT OF ISSUE	QTY USED IN UNIT	MONTH				
		SUPPLY SYSTEM RESPONSIBILITY							
1		BODY ARMOR, ASSAULT (INDIVIDUAL SIZES LISTED BELOW)	EA	1					
2	8470-01-444-9909	SMALL REGULAR	EA	AR					
3	8470-01-444-9906	SMALL LONG	EA	AR					
4	8470-01-444-4455	MEDIUM REGULAR	EA	AR					
5	8470-01-444-9907	MEDIUM LONG	EA	AR					
6	8470-01-444-9908	LARGE REGULAR	EA	AR					
7	8470-01-444-9911	LARGE LONG	EA	AR					
8	8470-01-444-9910	X-LARGE REGULAR	EA	AR					
9	8470-01-444-9912	X-LARGE LONG	EA	AR					
10		OUTERSHELL, BODY ARMOR (INDIVIDUAL SIZES LISTED BELOW)	EA	1					
11	8470-01-445-3309	SMALL REGULAR	EA	AR					
12	8470-01-445-0994	SMALL LONG	EA	AR					
13	8470-01-445-0996	MEDIUM REGULAR	EA	AR					
14	8470-01-445-0995	MEDIUM LONG	EA	AR					
15	8470-01-445-0992	LARGE REGULAR	EA	AR					
16	8470-01-445-0998	LARGE LONG	EA	AR					
17	8470-01-445-0993	X-LARGE REGULAR	EA	AR					
18	8470-01-444-4458	X-LARGE LONG	EA	AR					
19	8470-01-444-5444	GROIN PROTECTOR	EA	1					
20	8470-01-444-8202	OUTERSHELL, GROIN PROTECTOR	EA	1					
21	8470-01-444-0997	BALLISTIC PLATE INSERT, CERAMIC TILE	EA	2					
22	8470-01-444-5443	VEST, LOAD BEARING, ASSAULT	EA	1					
23	8470-01-444-8203	MAGAZINE POUCH, RIFLE / PISTOL	EA	3					
24	8470-01-444-8380	PACK, DAY	EA	1					

ASSAULT VEST SYSTEM COMPONENTS LIST (Continued)

COMPONENTS LIST											
NAME OF EQUIPMENT <u>Assault Vest System</u>								NSN <u>8470-01-439-3072</u>			
ITEM NO	STOCK NUMBER	ITEM IDENTIFICATION	UNIT OF ISSUE	QTY USED IN UNIT	MONTH						
25	8470-01-444-5442	POUCH, GRENADE	EA	1							
26	8470-01-444-5440	POUCH, COMM HEAD SET	EA	1							
27	8470-01-444-5441	POUCH, SHOTGUN SHELL	EA	AR							
28	8470-01-444-5439	POUCH, UTILITY	EA	1							
29	8470-01-444-5445	POUCH, LESS-THAN-LETHAL	EA	1							
30		POUCH, DROP	EA	1							
31		BLANK PAD, P9A	EA	1							
32		BLANK PAD, P9B	EA	2							
33		BLANK PAD, P9X	EA	1							
34		BLANK PAD, P9Y	EA	1							
35		WEAPON BUTT RETENTION PAD	EA	1							
36		TACTICAL SCABBARD	EA	AR							
37		BACK SUPPORT HARNESS	EA	AR							
38		CARRYING CASE	EA	1							

INDIVIDUAL ASSAULT KIT COMPONENTS LIST

COMPONENTS LIST											
NAME OF EQUIPMENT <u>Individual Assault kit</u>						NSN <u>8465-01-419-7140</u>					
ITEM NO	STOCK NUMBER	ITEM IDENTIFICATION	UNIT OF ISSUE	QTY USED IN UNIT	MONTH						
SUPPLY SYSTEM RESPONSIBILITY											
CLIMBING EQUIPMENT											
1	8465-01-415-5135	ASCENDER	PR	1							
2	8465-01-415-5137	CARABINER, OMEGA	EA	5							
3	8465-01-415-5134	CARABINER, LOCKING	EA	2							
4	8465-01-364-0257	DESCENDER	EA	1							
5		ETRIERS	EA	1							
6		HARNESS, CHEST	EA	1							
7	8465-01-415-5136	HARNESS, VARIO-SIT	EA	1							
8	3020-01-411-1132	PULLEY ASSEMBLY	EA	2							
9	4020-01-400-5864	ROPE, NYLON, 9/32"	EA	1							
10		BAG, ROPE	EA	AR							
11	4020-01-411-9053	ROPE, STATIC, 7/16"	EA	AR							
INDIVIDUAL PROTECTIVE EQUIPMENT											
12	4240-00-022-2946	AURAL PROTECTOR, SOUND	EA	1							
13		GLASSES, RANGE	EA	1							
14	8415-00-268-7859	GLOVES, WELDERS	PR	1							
15		GOGGLES, BALLISTIC	EA	1							
16		APPLIQUE, ANTI-FOG	EA	AR							
17		HELMET, ASSAULT	EA	1							
18		SUSPENSION SYSTEM	EA	1							
19		HELMET, NON-BALLISTIC	EA	AR							
20		PADS, ELBOW	PR	1							
21		PADS, KNEE	PR	1							

INDIVIDUAL ASSAULT KIT COMPONENTS LIST (Continued)

COMPONENTS LIST											
NAME OF EQUIPMENT <u>Individual Assault kit</u>							NSN <u>8465-01-419-7140</u>				
ITEM NO	STOCK NUMBER	ITEM IDENTIFICATION	UNIT OF ISSUE	QTY USED IN UNIT	MONTH						
LOAD BEARING EQUIPMENT											
22		BELT, ASSAULT	EA	1							
23		HOLSTER, ASSAULT	EA	1							
24		POUCH, MAGAZINE, PISTOL	EA	2							
25		POUCH, MAGAZINE, SMG	EA	1							
UTILITY EQUIPMENT											
26	5140-00-473-6256	BAG, TOOL, SACHEL	EA	1							
27		FLASHLIGHT, HIGH INTENSITY	EA	1							
28		ADAPTER, FLASHLIGHT	EA	1							
29		ASSEMBLY, LAMP, 9 VOLT	EA	1							
30	6135-01-351-1131	BATTERY, NONRECHARGEABLE	EA	8							
31		BATTERY, RECHARGEABLE	EA	1							
32		CHARGER, BATTERY, 115 VAC	EA	1							
33		INFRARED FILTER	EA	1							
34		SCABBARD, FLASHLIGHT	EA	1							
35	8460-00-606-8366	KIT BAG, FLYERS	EA	1							
36	6230-00-067-5209	LIGHT MARKER, DISTRESS	EA	1							
37	6135-00-073-8939	BATTERY, NONRECHARGEABLE	EA	1							
38	6120-00-783-5713	FILTER, SIGNAL LIGHT	EA	1							
39	6230-00-401-2285	FLASHGUARD	EA	1							
40	5110-01-346-5341	TOOL, SURVIVAL, MULTIPURPOSE	EA	1							
41	5340-00-907-8277	WEDGE, DOOR	EA	5							
PERSONNEL RESTRAINING DEVICES											
42		BATON, COLLAPSIBLE	EA	1							
43		SCABBARD, BATON	EA	1							
44	8465-00-007-2636	STRAP KIT, INVOLUNTARY	KT	1							

ASSAULT GAS MASK COMPONENTS LIST

COMPONENTS LIST																			
NAME OF EQUIPMENT <u>Assault Gas Mask</u>																			
ITEM NO	STOCK NUMBER	ITEM IDENTIFICATION	UNIT OF ISSUE	QTY USED IN UNIT	MONTH														
1		SUPPLY SYSTEM RESPONSIBILITY																	
		ASSAULT GAS MASK: available in three sizes; individual sizes are listed below; c/o:																	
2	4240-01-284-3615	SMALL	EA	1															
3	4240-01-284-3616	MEDIUM	EA	1															
4	4240-01-284-3617	LARGE	EA	1															
5	4240-01-361-1319	1 - CANISTER, CHEMICAL	EA																
6	4240-01-224-4196	1 - CARRIER BAG	EA																
	4240-01-223-7313	1 - HARNESS, HEAD	EA																
	4240-01-189-9423	1 - HOOD, CHEMICAL-BIOLOGICAL	EA																
	4240-01-224-4195	1 - OUTSERT ASSY, CLEAR, SM	EA																
	4240-01-224-4197	1 - OUTSERT ASSY, CLEAR, M/L	EA																
	4240-01-247-9107	1 - OUTSERT ASSY, GREY, SM	EA																
	4240-01-249-4438	1 - OUTSERT ASSY, GREY, M/L	EA																
		USING UNIT RESPONSIBILITY																	
7	5830-01-350-6428	VOICE PROJECTION UNIT	EA	1															
8		APPLIQUE, ANTI-FOG	EA	AR															
9	6135-00-900-2139	BATTERY, NONRECHARGEABLE	EA	1															

ASSAULT BREACHER KIT COMPONENTS LIST

COMPONENTS LIST

NAME OF EQUIPMENT Assault Breacher Kit

NSN 9999-01-357-0748

ITEM NO	STOCK NUMBER	ITEM IDENTIFICATION	UNIT OF ISSUE	QTY USED IN UNIT	MONTH													
		SUPPLY SYSTEM RESPONSIBILITY																
1	5130-01-213-1213	APPLICATOR, GUN, GLUE	EA	2														
2		ARMGUARD, ABRASION RESISTANT	EA	2														
3	5140-00-473-6256	BAG, TOOL, SACHEL	EA	1														
4	5120-00-293-0665	BAR, WRECKING	EA	1														
5	8470-01-441-0885	BLANKET, BREACHER (W/CASE)	EA	2														
6	1375-00-567-0223	BLASTING MACHINE	EA	2														
7	4240-01-394-3897	BREACHING DEVICE, HYDRAULIC	EA	1														
8	5140-00-498-8898	CARRIER, TOOL	EA	2														
9	5140-00-277-8835	CASE, TWIST DRILL	EA	1														
10	5140-00-212-5325	CHEST, TOOL KIT	EA	1														
11	5120-00-203-6431	CLAMP, C (6 IN.)	EA	1														
12	5120-00-203-6437	CLAMP, C (10 IN.)	EA	1														
13	5110-00-188-2524	CUTTER, BOLT	EA	1														
14	5110-00-596-9323	DRILL, BREAST	EA	1														
15	5130-01-377-0184	DRILL, ELECTRIC, PORTABLE	EA	1														
16	5133-00-010-4005	DRILL, TWIST, 3/32 IN.	EA	1														
17	5133-00-841-8702	DRILL, TWIST, 1/8 IN.	EA	1														
18	5133-00-850-3292	DRILL, TWIST, 5/32 IN.	EA	1														
19	5133-00-900-2063	DRILL, TWIST, 3/16 IN.	EA	1														
20	5133-00-841-8759	DRILL, TWIST, 7/32 IN.	EA	1														
21	5133-00-841-8746	DRILL, TWIST, 3/8 IN.	EA	1														
22	5133-00-841-8744	DRILL, TWIST, 13/32 IN.	EA	1														
23	5133-00-841-8742	DRILL, TWIST, 7/16 IN.	EA	1														
24	5133-00-841-8708	DRILL, TWIST, 1/2 IN.	EA	1														
25	4210-00-900-8557	FIRE FIGHTING EQUIPMENT	EA	1														
26	4240-00-169-5711	1 - AXE, EMERGENCY ESCAPE	EA															
27	5110-00-224-7055	1 - CUTTER, BOLT	EA															

ASSAULT BREACHER KIT COMPONENTS LIST (Continued)

COMPONENTS LIST																			
NAME OF EQUIPMENT <u>Assault Breacher Kit</u>								NSN <u>9999-01-357-0748</u>											
ITEM NO	STOCK NUMBER	ITEM IDENTIFICATION	UNIT OF ISSUE	QTY USED IN UNIT	MONTH														
28	5110-00-289-9657	1 - FRAME, HAND HACKSAW	EA																
29		6 - FUEL PLUG, LINE	EA																
30	5110-00-277-4588	3 - HACKSAW BLADES	EA																
31		1 - HOOK, GRAPPLING	EA																
32	5110-00-524-6924	1 - KNIFE, RESCUE	EA																
33	5120-00-239-8251	1 - PLIERS	EA																
34	5110-00-221-0235	1 - SAW, HAND, METAL CUTTING	EA																
35	5120-00-234-8912	1 - SCREWDRIVER, CROSS TIP	EA																
36	5120-00-234-8913	1 - SCREWDRIVER, CROSS TIP	EA																
37	5120-00-540-0563	1 - SCREWDRIVER, FLAT	EA																
38	5120-00-227-7356	1 - SCREWDRIVER, FLAT	EA																
39	5120-01-176-6931	1 - WRENCH PLIER	EA																
40	1375-01-377-8032	FIRING DEVICE, DUAL NONEL	EA	2															
41	6230-00-264-8261	FLASHLIGHT	EA	1															
42	6625-00-539-8444	GALVANOMETER	EA	2															
43		GLOVE, ABRASION RESISTANT	EA	2															
44	5120-01-112-8352	HAMMER, HAND, CARPENTERS	EA	1															
45	5120-00-900-6118	HAMMER, HAND, SLEDGE (2-1/2 LB)	EA	2															
46	5120-00-900-6097	HAMMER, HAND, SLEDGE (10 LB)	EA	2															
47	4210-01-108-8716	HOOLIGAN TOOL, PRY BAR	EA	2															
48	5120-00-595-9244	KEY SET, SOCKET HEAD	SE	1															
49	4930-01-114-2121	LUBRICATING GUN, HAND	EA	1															
50	5120-00-293-3485	PLIERS, FENCE	EA	1															
51	5120-00-878-6518	PLIERS, NEEDLE NOSE	EA	1															
52	5110-00-239-8253	PLIERS, DIAGONAL CUTTING	EA	2															
53	5120-00-278-0352	PLIERS, SLIP JOINT	EA	1															
54	5140-00-329-4306	POUCH, MECHANICS TOOL	EA	1															

ASSAULT BREACHER KIT COMPONENTS LIST (Continued)

COMPONENTS LIST

NAME OF EQUIPMENT Assault Breacher Kit

NSN 9999-01-357-0748

ITEM NO	STOCK NUMBER	ITEM IDENTIFICATION	UNIT OF ISSUE	QTY USED IN UNIT	MONTH															
55	5180-01-267-9522	PULLER, LOCK CYLINDER	EA	1																
56	5120-00-142-5269	PUNCH, CENTER, AUTOMATIC	EA	1																
57	4240-01-435-8737	RAM, BATTERING	EA	1																
58		STUD FINDER, DENSITY	EA	2																
59	5120-00-889-2605	TACKER (GUN)	EA	1																
60	5120-00-171-1643	TACKER (HAMMER)	EA	1																
61	5120-00-277-1486	WRENCH, PIPE	EA	1																
		DEMOLITION EQUIPMENT																		
62	1375-00-212-4597	BAG, DEMOLITION EQUIPMENT	EA	4																
63	8140-00-168-6881	BOX, BLASTING CAP	EA	4																
64	5120-00-313-6937	CRIMPER, BLASTING CAP	EA	4																
65	5110-00-162-2205	KNIFE, POCKET	EA	4																
66	5110-00-289-8659	SHEARS, METAL CUTTING	EA	2																
67	5210-00-245-0301	TAPE, MEASURING (6 FT)	EA	4																
68	5210-00-554-7092	TAPE, MEASURING (100 FT)	EA	2																
		USING UNIT RESPONSIBILITY																		
		<u>NOTE:</u> USING UNIT SHOULD REFER TO SL-1-2 AND REQUISITION THE REQUIRED PUBLICATIONS TO SUPPORT THE ITEM																		
69		ADAPTER, NONEL PRIMING	EA	AR																
70		ADAPTER, DUAL SHOCK TUBE	EA	AR																
71	6135-00-930-0030	BATTERY, NONRECHARGEABLE	PG	AR																
72	6135-00-128-1632	BATTERY, NONRECHARGEABLE	EA	AR																

ASSAULT BREACHER KIT COMPONENTS LIST (Continued)

COMPONENTS LIST										
NAME OF EQUIPMENT <u>Assault Breacher Kit</u>							NSN <u>9999-01-357-0748</u>			
ITEM NO	STOCK NUMBER	ITEM IDENTIFICATION	UNIT OF ISSUE	QTY USED IN UNIT	MONTH					
73	6135-00-900-2139	BATTERY, NONRECHARGEABLE	PG	AR						
74	5110-00-293-2865	BLADE, KNIFE	PG	AR						
75	1375-00-225-2419	CONNECTOR, DETONATING CORD	EA	AR						
76		GLUE STICK	EA	AR						
77	4240-00-052-3776	GOGGLES, INDUSTRIAL	EA	AR						
78	9150-00-929-7946	GREASE, GENERAL PURPOSE	CA	AR						
79	5110-00-892-5071	KNIFE, CRAFTSMAN'S	EA	AR						
80	5315-00-753-3880	NAIL	LB	AR						
81	8040-01-411-8927	PASTE, ADHESIVE, BREACHER (5-1/4 OZ)	BT	AR						
82	8040-01-411-8928	PASTE, ADHESIVE, BREACHER (5 GAL)	CN	AR						
83	5315-00-889-2605	STAPLE (GUN TYPE)	BX	AR						
84	5315-00-132-8303	STAPLE (HAMMER TYPE)	BX	AR						
85		STUD FINDER, DENSITY	EA	2						
86	5315-00-188-2456	TACK	LB	AR						
87	8315-00-255-7662	TAPE, ENGINEER, TEXTILE	RO	AR						
88	5970-00-419-4291	TAPE, INSULATION ELECTRICAL	RO	AR						
89	7510-00-165-6560	TAPE, PRESSURE SENSITIVE	RO	AR						
90	7510-00-890-9874	TAPE, PRESSURE SENSITIVE	RO	AR						
91	6920-00-795-1806	TARGET, KNEELING	BU	AR						
92	8040-00-995-7080	THERMOPLASTIC, CONTACT ADHESIVE	CN	AR						

ASSAULT BREACHER TORCH KIT COMPONENTS LIST

COMPONENTS LIST										
NAME OF EQUIPMENT <u>Assault Breacher Torch Kit</u>										
ITEM NO	STOCK NUMBER	ITEM IDENTIFICATION	UNIT OF ISSUE	QTY USED IN UNIT	MONTH					
		ASSAULT BREACHER TORCH KIT AND SUPPORT EQUIPMENT								
1		OPERATIONAL KIT: C/O;	KT	1						
2		1 - BACK HARNESS ASSEMBLY	EA							
3		1 - BELT, NYLON, w/ D-RINGS	EA							
4		1 - CASE, OPERATIONAL KIT	EA							
5		1 - CYLINDER, OXYGEN	EA							
6		1 - GAUGE, HIGH PRESSURE	EA							
7		1 - HOSE ASSEMBLY, OXYGEN, 5 FT	EA							
8		1 - POUCH, IGNITOR	EA							
9		1 - QUIVER, LONG	EA							
10		1 - REGULATOR, INDUSTRIAL OR REGULATOR, SUBMERSIBLE	EA							
11		1 - ROD, EXTENDER, 14"	EA							
12		1 - SHIELD, LEATHER	EA							
13		1 - TORCH, LIGHTWEIGHT, OPERATIONAL	EA							
		TRAINING KIT: C/O;	KT	1						
14		1 - BATTERY, POWER STATION W/ CONNECTORS	EA							
15		1 - CABLE, POWER, 15 FT W/ CONNECTORS	EA							
16		1 - CASE, TRAINING KIT	EA							
17		1 - DIVIDER PANEL	EA							
18		1 - HOSE ASSEMBLY, OXYGEN, 5 FT	EA							
19		1 - HOSE ASSEMBLY, OXYGEN, 10 FT	EA							

ASSAULT BREACHER TORCH KIT COMPONENTS LIST (Continued)

COMPONENTS LIST											
NAME OF EQUIPMENT <u>Assault Breacher Torch Kit</u>											
ITEM NO	STOCK NUMBER	ITEM IDENTIFICATION	UNIT OF ISSUE	QTY USED IN UNIT	MONTH						
20		1 - SHIELD, LEATHER	EA								
21		1 - STRIKER HOLDER, LEATHER	EA								
22		1 - STRIKER PLATE ASSEMBLY	EA								
23		1 - TORCH, LIGHTWEIGHT, TRAINING	EA								
		SUPPORT EQUIPMENT: C/O;									
24		COAT, LEATHER	EA	1							
25		GLOVES, LEATHER	PR	1							
26		COVER, BACKPACK	EA	1							
27		GLASSES, SAFETY	PR	2							
28		HELMET	EA	1							
29		HELMET BRACKET, FLIP SHIELD	EA	1							
30		SHIELD, FACE #5 SHADE	EA	1							
31		SHIELD, NECK, HELMET	EA	1							
		CONSUMABLES									
32		COLLET KIT, 1/4"	EA	2							
33		COLLET KIT, 3/8"	EA	2							
34	3439-01-411-8393	CUTTING ROD, 1/4" x 18"	BX	AR							
35	3439-01-411-7879	CUTTING ROD, 3/8" x 18"	BX	AR							
36	3439-01-411-3866	CUTTING ROD, 3/8" x 36"	BX	AR							
37		ROD IGNITOR	BX	AR							

APPENDIX B

EQUIPMENT LISTING BY NATIONAL STOCK NUMBERS

CROSS REFERENCE - NATIONAL STOCK NUMBER TO PART NUMBER

**APPENDIX B
NATIONAL STOCK NUMBERS**

NSN	NOMENCLATURE	P/N	CAGE	PAGE
8465-00-007-2636	Strap Kit, Involuntary	5020	57166	4-28
5133-00-010-4005	Drills, Twist, 3/32"	31006	16568	6-20
4240-00-022-2946	Aural Protector, Sound	M38268-2	81349	4-12
4240-00-052-3776	Goggles, Industrial	A-A-1110	58536	6-28
6230-00-067-5209	Light Marker, Distress	MIL-L-38217	81349	4-24
5120-00-142-5269	Punch, Center, Automatic	599-771-3	09058	6-44
5110-00-162-2205	Knife, Pocket	640045R	71332	6-60
7510-00-165-6560	Tape, Pressure Sensitive	44081-1/4IN	52152	6-52
8140-00-168-6881	Box, Blasting Cap	9257217	19203	6-58
5120-00-171-1643	Tacker, Staple Hammer	H2B	08075	6-49
5315-00-188-2456	Tack	MS90722-4	96906	6-47
5110-00-188-2524	Cutter, Bolt	GGG-C-740	81348	6-17
5120-00-203-6431	Clamps, C, 6"	A-A-431	58536	6-15
5120-00-203-6437	Clamps, C, 10"	A-A-429	58536	6-15
1375-00-212-4597	Bag, Demolition Equipment	9204775	19203	6-57
5140-00-212-5325	Chest, Tool Kit	MIL-C-12044	81349	6-14
1375-00-225-2419	Connector, Detonating Cord	2995437	10001	6-16
5110-00-239-8253	Pliers, Diagonal Cutting	86P	55719	6-40
5210-00-245-0301	Tape, Measuring	GGG-T-106	81348	6-62
8315-00-255-7662	Tape, Engineer, Textile	MIL-T-43566	81349	6-50
6230-00-264-8261	Flashlight	MX-991/U	OZQT5	6-25
8415-00-268-7859	Gloves, Welders'	A-A-50022	58536	4-14
5120-00-277-1486	Wrench, Pipe	TKCX1H	19204	6-56
5140-00-277-8835	Case, Twist Drill	B129A	55719	6-13
5120-00-278-0352	Pliers, Slip Joint	8195590	18876	6-41
5110-00-289-8659	Shears, Metal Cutting, Hand	GGG-S-291	81348	6-61
5120-00-293-0665	Bar, Wrecking	A-A-2566	58536	6-8
5120-00-293-3485	Pliers, Fence	GGG471TYPE16	81348	6-38
5140-00-329-4306	Pouch, Mechanics Tool	50J8016	80049	6-42
5970-00-419-4291	Tape, Insulation, Electrical	173-4INBLACK	75037	6-51
5140-00-473-6256	Bag, Tool, Satchel	11655979	34623	4-21

NATIONAL STOCK NUMBERS (Continued)

NSN	NOMENCLATURE	P/N	CAGE	PAGE
5140-00-473-6256	Bag, Tool, Satchel	11655979	34623	6-7
5140-00-498-8898	Carrier, Tool	8678	80244	6-12
6625-00-539-8444	Galvanometer	72-0081	07239	6-26
5210-00-554-7092	Tape, Measuring	GGG-T-106TY1	81348	6-63
1375-00-567-0223	Blasting Machine	9312773	19200	6-10
5120-00-595-9244	Key Set, Socket Head	AW11K	55719	6-33
5110-00-596-9323	Drill, Breast	A-A-2553	58536	6-18
8460-00-606-8366	Kit Bag, Flyers	MIL-K-41835	81349	4-23
5315-00-753-3880	Nail	MS90713-3	96906	6-36
6920-00-795-1806	Target, Kneeling	MIL-T-13560	81349	6-54
5133-00-841-8702	Drills, Twist, 1/8"	31008	16568	6-20
5133-00-841-8708	Drills, Twist, 1/2"	70-10029	16568	6-20
5133-00-841-8742	Drills, Twist, 7/16"	31028	16568	6-20
5133-00-841-8744	Drills, Twist, 13/32"	31026	16568	6-20
5133-00-841-8746	Drills, Twist, 3/8"	31024	16568	6-20
5133-00-841-8759	Drills, Twist, 7/32"	31014	16568	6-20
5133-00-850-3292	Drills, Twist, 5/32"	31010	16568	6-20
5120-00-878-6518	Pliers, Needle Nose	E701	55719	6-39
5120-00-889-1796	Tacker, Staple Gun	T5-8	08075	6-48
7510-00-890-9874	Tape, Pressure Sensitive	PPP-T-60E	81348	6-53
5110-00-892-5071	Knife, Craftsman's	GGG-K-494	81348	6-34
5133-00-900-2063	Drills, Twist, 3/16"	31012	16568	6-20
6135-00-900-2139	Battery, Non-Rechargeable	MN1604	90303	5-6
5120-00-900-6097	Hammer, Hand, Sledge (10 lbs)	A-A-1293	58536	6-31
5120-00-900-6118	Hammer, Hand, Sledge (2-1/2 lbs)	A-A-1293	58536	6-30
4120-00-900-8557	Fire Fighting Equipment Set	C1F-CRK5	61125	6-21
5340-00-907-8277	Wedge, Door	B42DOORWEDGE	83104	4-26
8040-00-995-7080	Thermoplastic, Contact Adhesive	8074	04963	6-55

NATIONAL STOCK NUMBERS (Continued)

NSN	NOMENCLATURE	P/N	CAGE	PAGE
8415-01-074-9428	Gloves, Combat Vehicle Crewman's, Size 5	MIL-G-44108-5	81349	2-8
8415-01-074-9429	Gloves, Combat Vehicle Crewman's, Size 6	MIL-G-44108-6	81349	
8415-01-074-9430	Gloves, Combat Vehicle Crewman's, Size 7	MIL-G-44108-7	81349	
8415-01-074-9431	Gloves, Combat Vehicle Crewman's, Size 8	MIL-G-44108-8	81349	
8415-01-074-9432	Gloves, Combat Vehicle Crewman's, Size 9	MIL-G-44108-9	81349	
8415-01-074-9433	Gloves, Combat Vehicle Crewman's, Size 10	MIL-G-44108-10	81349	
8415-01-074-9434	Gloves, Combat Vehicle Crewman's, Size 11	MIL-G-44108-11	81349	
8470-01-092-7526	Helmet, Assault, Small	MIL-H-44099 (S)	81349	4-15
8470-01-092-7527	Helmet, Assault, Medium	MIL-H-44099 (M)	81349	
8470-01-092-7528	Helmet, Assault, Large	MIL-H-44099 (L)	81349	
5120-01-108-8716	Hooligan Tool, Pry Bar	TP30	30978	6-32
5120-01-112-8352	Hammer, Hand, Carpenters	A-A-1307	58536	6-29
4930-01-114-2121	Lubricating Gun, Hand	GA473A	55719	6-35
5130-01-213-1213	Applicator, Gun, Glue	HYSOL 1001	1JB33	6-5
5180-01-267-9522	Puller, Lock Cylinder	E630-05	0SRL5	6-43
4240-01-284-3615	Mask, Chemical-Biological, Small	88115001-1	98752	5-3 & 5-4
4240-01-284-3616	Mask, Chemical-Biological, Medium	88115001-2	98752	
4240-01-284-3617	Mask, Chemical-Biological, Large	88115001-3	98752	
5120-01-313-6937	Crimper, Blasting Cap	5762416	53711	6-59
5110-01-346-5341	Tool, Survival, Multipurpose	55860	ORAU7	4-25
5830-01-350-6428	Voice Projection Unit	B-181A	8Y672	5-6
9999-01-357-0748	Kit, Assault Breacher (ABK)	92001A0018	01365	6-3
8465-01-364-0257	Descender	PPD	0EUP8	4-5
5130-01-377-0184	Drill, Electric, Portable	9853S	60933	6-19
1375-01-377-8032	Firing Device, Dual, Hand-Held	6702835	53711	6-24
4140-01-394-3897	Breaching Device, Hydraulic	HF-3LE	0PR87	6-11
4020-01-400-5864	Rope, Nylon	RBACO7	66165	4-10
3020-01-411-1132	Pulley Assembly	RP103MOD	66165	4-9
3439-01-411-3866	Cutting Rod/Welding Rod, 3/8 x 36"	3836PC-25	59491	7-12
3439-01-411-7879	Cutting Rod/Welding Rod, 3/8 x 18"	3818PC-25	59491	
3439-01-411-8393	Cutting Rod/Welding Rod, 1/4 x 18"	1418PC-25	59491	
8040-01-411-8927	Paste, Adhesive, Breacher, 5-1/4 oz	592	009J2	6-37
8040-01-411-8928	Paste, Adhesive, Breacher, 5 gal	595	009J2	6-37
4020-01-411-9053	Rope, Static	30-AT367	66165	4-11
8465-01-415-5134	Carabiner, Locking, Modified	MD716S3-5	78848	4-6
8465-01-415-5135	Ascender	091-ULTAS01	66165	4-5
8465-01-415-5136	Harness, Vario-Sit	650067	0SZC3	4-8

NATIONAL STOCK NUMBERS (Continued)

NSN	NOMENCLATURE	P/N	CAGE	PAGE
8465-01-419-7140	Kit, Individual Assault	95002A0011	01365	4-3
8415-01-428-2341	Kit, Assault Suit (Ensemble)	95002A0012	01365	2-3
8465-01-415-5137	Carabiner, Omega	OMEGA OVAL	78848	4-6
4240-01-435-8737	Ram, Battering	E500-35	OSRL5	6-45
8470-01-439-3072	Assault Vest System (AVS)	Z431101	62283	3-3
8470-01-441-0885	Blanket, Breacher, w/Case	Z432001	62283	6-9
8470-01-444-4455	Ballistic Panel, Body Armor, Medium Regular	Z4311Y-MR	62283	3-6
8470-01-444-4458	Outershell, Body Armor, X-Large Long	Z4311L-XLL	62283	3-6
8470-01-444-5439	Pouch, Utility, P11	Z4311P	62283	3-13
8470-01-444-5440	Pouch, Comm Head Set, R4	Z4311Z	62283	3-12
8470-01-444-5441	Pouch, Shotgun Shell, P2	Z4311S	62283	3-12
8470-01-444-5442	Pouch, Grenade, P7	Z4311O	62283	3-12
8470-01-444-5443	Vest, Load Bearing, Assault	Z4311M	62283	3-9
8470-01-444-5444	Ballistic Panel, Groin Protector	Z4311AA	62283	3-6
8470-01-444-5445	Pouch, Less-than-Lethal, P12	Z4311Q	62283	3-13
8470-01-444-8202	Outershell, Groin Protector	Z4311AA1	62283	3-6
8470-01-444-8203	Magazine Pouch, Rifle and Pistol, P4	Z4311N	62283	3-10
8470-01-444-8380	Pack, Day	Z4311K	62283	3-11
8470-01-444-9906	Ballistic Panel, Body Armor, Small Long	Z4311Y-SL	62283	3-6
8470-01-444-9907	Ballistic Panel, Body Armor, Medium Long	Z4311Y-ML	62283	3-6
8470-01-444-9908	Ballistic Panel, Body Armor, Large Regular	Z4311Y-LR	62283	3-6
8470-01-444-9909	Ballistic Panel, Body Armor, Small Regular	Z4311Y-SR	62283	3-6
8470-01-444-9910	Ballistic Panel, Body Armor, X-Large Regular	Z4311Y-XLR	62283	3-6
8470-01-444-9911	Ballistic Panel, Body Armor, Large Long	Z4311Y-LL	62283	3-6
8470-01-444-9912	Ballistic Panel, Body Armor, X-Large Long	Z4311Y-XLL	62283	3-6
8470-01-445-0992	Outershell, Body Armor, Large Regular	Z4311L-LR	62283	3-6
8470-01-445-0993	Outershell, Body Armor, X-Large Regular	Z4311L-XLR	62283	3-6
8470-01-445-0994	Outershell, Body Armor, Small Long	Z4311L-SL	62283	3-6
8470-01-445-0995	Outershell, Body Armor, Medium Long	Z4311L-ML	62283	3-6
8470-01-445-0996	Outershell, Body Armor, Medium Regular	Z4311L-MR	62283	3-6
8470-01-445-0997	Ballistic Plate Insert, Ceramic Tile	Z4311AB	62283	3-8

NATIONAL STOCK NUMBERS (Continued)

NSN	NOMENCLATURE	P/N	CAGE	PAGE
8470-01-445-0998	Outershell, Body Armor, Large Long	Z4311L-LL	62283	3-6
8470-01-445-3309	Outershell, Body Armor, Small Regular	Z4311L-SR	62283	3-6
8470-01-447-0196	Pouch, Drop	Z4311T	62283	3-13
8470-01-447-0197	Blank Pad, P9B	Z4311W	62283	3-14
8470-01-447-0198	Blank Pad, P9A	Z4311V	62283	3-14
8470-01-447-0199	Blank Pad, P9X	Z4311X	62283	3-14
8470-01-447-0200	Blank Pad, P9Y	Z4311W1	62283	3-14
8470-01-447-0201	Carrying Case, AVS	MC0005	62283	3-15
8470-01-447-0202	Weapon Butt Retention Pad	Z4311U-1	62283	3-15
8470-01-447-1348	Tactical Scabbard, P15	Z4311R	62283	3-15

NOTE

The following list contains items that are either awaiting assignment of NSNs or will not be given NSNs due to small quantity requirements.

NSN	NOMENCLATURE	P/N	CAGE	PAGE
	Cylinder, Oxygen, Composite	BOC-545A	59491	7-5
	Helmet (Welding)	PC 475235	59491	7-11
	Shield, Face (Visor)	PC 488137	59491	7-11
	Helmet Bracket, Flip, Shield	PC 804639	59491	7-11
	Clamp, Battery Adapter	PC/BAK	59491	7-8
	Battery, Power Station w/ Connectors	PC/BPS-250A	59491	7-8
	Case, Training Kit	PC/C-1814-10	59491	7-8
	Divider Panel	PC/C-1814-D	59491	7-8
	Case, Operational Kit	PC/C-3122-15	59491	7-5
	Striker Holder, Leather	PC/LSH	59491	7-9
	Coat, Leather	PC/LJ-3X	59491	7-10
	Shield, Neck, Helmet	PC/LNS	59491	7-11
	Shield, Leather	PC/LSS	59491	7-7
	Shield, Leather	PC/LSS	59491	7-9

NATIONAL STOCK NUMBERS (Continued)

NSN	NOMENCLATURE	P/N	CAGE	PAGE
	Belt, Nylon, w/ D-Rings	PC/NB	59491	7-5
	Cover, Backpack	PC/NBC	59491	7-10
	Pouch, Ignitor	PC/NP	59491	7-6
	Quiver, Rod	PC/NRHL	59491	7-6
	Rod Ignitor	PC/RFC-10	59491	7-12
	Glasses, Safety	PC/SG-5	59491	7-11
	Back Harness Assembly	PC/TAC-BHA	59491	7-5
	Gauge, High Pressure	PC/TAC-G	59491	7-6
	Hose Assembly, Oxygen, 10'	PC/TAC-H-10	59491	7-9
	Hose Assembly, Oxygen, 5'	PC/TAC-H-5	59491	7-6
	Hose Assembly, Oxygen, 5'	PC/TAC-H-5	59491	7-9
	Assault Breacher Torch Kit, Submersible	PC/TAC-OPS-A	59491	7-3
	Assault Breacher Torch Kit, Industrial	PC/TAC-OPS-B	59491	7-3
	Cable, Power, 15' w/ Connectors	PC/TAC-PC-15	59491	7-8
	Regulator, Oxygen, Submersible	PC/TAC-R-A	59491	7-7
	Regulator, Oxygen, Industrial	PC/TAC-R-B	59491	7-7
	Torch, Lightweight, Operational	PC/TAC-T	59491	7-7
	Training Kit, ABTK	PC/TAC-TRG	59491	7-8
	Torch, Lightweight, Training	PC/TAC-T-TR	59491	7-9
	Rod Extender, 14"	PC/TAC-XT	59491	7-7
	Gloves, Leather, Welding	PC/WG	59491	7-10
	Striker Plate Assembly	PCRP-314A	59491	7-9
	Collet Kit, 1/4"	TA2214	59491	7-12
	Collet Kit, 3/8"	TA2238	59491	7-12
	Magazine Pouch, Rifle and Pistol, L7M	Z4311N-1	62283	3-10
	Back Support Harness	Z4311Z-1	62283	3-15

NATIONAL STOCK NUMBERS (Continued)

NSN	NOMENCLATURE	P/N	CAGE	PAGE
	Assault Suit, X-Small-Short Assault Suit, X-Small-Regular Assault Suit, X-Small-Long Assault Suit, Small-Short Assault Suit, Small-Regular Assault Suit, Small-Long Assault Suit, Medium-Short Assault Suit, Medium-Regular Assault Suit, Medium-Long Assault Suit, Large-Short Assault Suit, Large-Regular Assault Suit, Large-Long Assault Suit, X-Large-Short Assault Suit, X-Large-Regular Assault Suit, X-Large-Long	127-ASO1 X-SM-SHORT 127-ASO1 X-SM-REG 127-ASO1 X-SM-LONG 127-ASO1 SM-SHORT 127-ASO1 SM-REG 127-ASO1 SM-LONG 127-ASO1 MED-SHORT 127-ASO1 MED-REG 127-ASO1 MED-LONG 127-ASO1 LRG-SHORT 127-ASO1 LRG-REG 127-ASO1 LRG-LONG 127-ASO1 X-LG-SHORT 127-ASO1 X-LG-REG 127-ASO1 X-LG-LONG	OUWSO OUWSO OUWSO OUWSO OUWSO OUWSO OUWSO OUWSO OUWSO OUWSO OUWSO OUWSO OUWSO OUWSO OUWSO	2-5
	Balaclava	006-1000NHB/OD	OUWSO	2-7
	Armguard, Abrasion Resistant	GNK 18W-S	OEUP8	6-6
	Glove, Abrasion Resistant	333027	3P443	6-27
	Pads, Knee	50410	OUWSO	4-16
	Pads, Elbow	53010	OUWSO	4-16
	Helmet Suspension Kit	742-100	OUWSO	4-15
	Non-Ballistic Helmet, Small Non-Ballistic Helmet, Medium Non-Ballistic Helmet, Large Non-Ballistic Helmet, X-Large	059-100-S 059-100-M 059-100-L 059-100-XL	OUWSO OUWSO OUWSO OUWSO	4-15
	Non-Ballistic Helmet Liner, Small Non-Ballistic Helmet Liner, Medium Non-Ballistic Helmet Liner, Large Non-Ballistic Helmet Liner, X-Large	059-101-S 059-101-M 059-101-L 059-101-XL	OUWSO OUWSO OUWSO OUWSO	4-15
	Goggles, Ballistic	004-X500-T	OUWSO	4-13
	Glasses, Range	5340E-1563	0S7V7	4-13
	Applique, Anti-Fog, Goggles	1220-CVX1	OUWSO	4-13
	Applique, Anti-Fog, AGM	1220-MCU2P	OUWSO	5-5
	Etriers	ETRIERS	66165	4-7
	Harness, Chest	K474-115	52403	4-8
	Pouch, Magazine, Sub-Machinegun	M-16-L	8J931	4-20
	Flashlight, High Intensity Scabbard, Flashlight	008-6R 008-V11	OUWSO OUWSO	4-22
	Baton, Collapsible	009-52211-F16B	OUWSO	4-27
	Belt, Assault, Small Belt, Assault, Medium Belt, Assault, Large	041-DB-SMALL 041-DB-MEDIUM 041-DB-LARGE	OUWSO OUWSO OUWSO	4-17

NATIONAL STOCK NUMBERS (Continued)

NSN	NOMENCLATURE	P/N	CAGE	PAGE
	Pouch, Magazine, Pistol, 9mm Pouch, Magazine, Pistol, .45 cal	041-DMP-3-FB (9mm) 041-DMP-3-FB (.45cal)	OUWSO OUWSO	4-19
	Scabbard, Baton	35-F16-2	0EZ72	4-27
	Holster, Assault, RH, .45 Cal Holster, Assault, LH, .45 Cal	3004-53-161 3004-53-162	0EZ72 0EZ72	4-18
	Holster, Assault, RH, 9mm Holster, Assault, LH, 9mm	3004-73-161 3004-73-162	0EZ72 0EZ72	4-18
	Holster, MEU-SOC .45 w/Mounted Light, RH Holster, MEU-SOC .45 w/Mounted Light, LH	3004-536-161 3004-536-162	0EZ72 0EZ72	4-18
	Holster, w/Hammer Strap, .45 Cal, RH Holster, w/Hammer Strap, .45 Cal, LH	3005-53-161 3005-53-162	0EZ72 0EZ72	4-18
	Holster, w/Hammer Strap, 9mm, RH Holster, w/Hammer Strap, 9mm, LH	3005-73-161 3005-73-162	0EZ72 0EZ72	4-18
	Finder, Stud, Density	8524T11	2V507	6-46

APPENDIX C

EQUIPMENT LISTING BY PART NUMBERS

CROSS REFERENCE - PART NUMBER TO NATIONAL STOCK NUMBER

APPENDIX C
PART NUMBER INDEX

P/N	NOMENCLATURE	NSN	CAGE	PAGE
A-A-1110	Goggles, Industrial	4240-00-052-3776	58536	6-28
A-A-1293	Hammer, Hand, Sledge (10 lbs)	5120-00-900-6097	58536	6-31
A-A-1293	Hammer, Hand, Sledge (2-1/2 lbs)	5120-00-900-6118	58536	6-30
A-A-1307	Hammer, Hand, Carpenters	5120-01-112-8352	58536	6-29
A-A-2553	Drill, Breast	5110-00-596-9323	58536	6-18
A-A-2566	Bar, Wrecking	5120-00-293-0665	58536	6-8
A-A-429	Clamp, C (10")	5120-00-203-6437	58536	6-15
A-A-431	Clamp, C (6")	5120-00-203-6431	58536	6-15
A-A-50022	Gloves, Welders'	8415-00-268-7859	58536	4-14
AW11K	Key Set, Socket Head	5120-00-595-9244	55719	6-33
B-181A	Voice Projection Unit	5830-01-350-6428	8Y672	5-6
B129A	Case, Twist Drill	5140-00-277-8835	55719	6-13
B42DOORWEDGE	Wedge, Door	5340-00-907-8277	83104	4-26
BOC-545A	Cylinder, Composite, Oxygen		59491	7-5
C1F-CRK5	Fire Fighting Equipment Set	4120-00-900-8557	61125	6-21
E500-35	Ram, Battering	4240-01-435-8737	OSRL5	6-45
E630-05	Puller, Lock	5180-01-267-9522	OSRL5	6-43
E701	Pliers, Needle Nose	5120-00-878-6518	55719	6-39
ETRIERS	Etriers		66165	4-7
GA473A	Lubricating Gun, Hand	4930-01-114-2121	55719	6-35
GGG-C-740	Cutter, Bolt	5110-00-188-2524	81348	6-17
GGG-K-494	Knife, Craftsman's	5110-00-892-5071	81348	6-34
GGG-S-291	Shears, Metal Cutting, Hand	5110-00-289-8659	81348	6-61
GGG-T-106	Tape, Measuring	5210-00-245-0301	81348	6-62
GGG-T-106TY1	Tape, Measuring	5210-00-554-7092	81348	6-63
GGG471TYPE16	Pliers, Fence	5120-00-293-3485	81348	6-38
GNK18W-S	Armguard, Abrasion Resistant		0EUP8	6-6
H2B	Tacker, Staple Hammer	5120-00-171-1643	08075	6-49
HF-3LE	Breaching Device, Hydraulic	4240-01-394-3897	0PR87	6-11
HYSOL 1001	Applicator, Gun, Glue	5130-01-213-1213	1JB33	6-5
K-3001	Puller, Lock Cylinder	5180-01-267-9522	45136	6-43

PART NUMBER INDEX (Continued)

P/N	NOMENCLATURE	NSN	CAGE	PAGE
K474-115	Harness, Chest		52403	4-8
M-16-L	Pouch, Magazine, SMG		8J931	4-20
M38268-2	Aural Protector, Sound	4240-00-022-2946	81349	4-12
MC0005	Carrying Case, AVS	8470-01-447-0201	62283	3-15
MD716S3-5	Carabiner, Locking, Modified	8465-01-415-5134	78848	4-6
MIL-C-12044	Chest, Tool Kit	5140-00-212-5325	81349	6-14
MIL-G-44108-5	Gloves, Combat Vehicle Crewman's, Size 5	8415-01-074-9428	81349	2-8
MIL-G-44108-6	Gloves, Combat Vehicle Crewman's, Size 6	8415-01-074-9429	81349	
MIL-G-44108-7	Gloves, Combat Vehicle Crewman's, Size 7	8415-01-074-9430	81349	
MIL-G-44108-8	Gloves, Combat Vehicle Crewman's, Size 8	8415-01-074-9431	81349	
MIL-G-44108-9	Gloves, Combat Vehicle Crewman's, Size 9	8415-01-074-9432	81349	
MIL-G-44108-10	Gloves, Combat Vehicle Crewman's, Size 10	8415-01-074-9433	81349	
MIL-G-44108-11	Gloves, Combat Vehicle Crewman's, Size 11	8415-01-074-9434	81349	
MIL-H-44099 (Small)	Helmet, Assault, Small	8470-01-092-7526	81349	4-15
MIL-H-44099 (Medium)	Helmet, Assault, Medium	8470-01-092-7527	81349	
MIL-H-44099 (Large)	Helmet, Assault, Large	8470-01-092-7528	81349	
MIL-K-41835	Kit Bag, Flyers	8460-00-606-8356	81349	4-23
MIL-L-38217	Light Marker, Distress	6230-00-067-5209	81349	4-24
MIL-T-13560	Target, Kneeling	6920-00-795-1806	81349	6-54
MIL-T-43566	Tape, Engineer, Textile	8315-00-255-7662	81349	6-50
MN1604	Battery, Non-Rechargeable	6135-00-900-2139	90303	5-6
MS90713-3	Nail	5315-00-753-3880	96906	6-36
MS90722-4	Tack	5315-00-188-2456	96906	6-47
MWTC BRIDGEPORT	Harness, Vario-Sit	8465-01-415-5136	OTC88	4-8
MX-991/U	Flashlight	6230-00-264-8261	OZQT5	6-25
OMEGA OVAL	Carabiner, Omega	8465-01-415-5137	78848	4-6
PC 475235	Helmet (Welding)		59491	7-11
PC 488137	Shield, Face (Visor)		59491	7-11
PC 804639	Helmet Bracket, Flip, Shield		59491	7-11
PC/BAK	Clamp, Battery Adapter		59491	7-8
PC/BPS-250A	Battery, Power Station w/ Connectors		59491	7-8
PC/C-1814-10	Case, Training Kit		59491	7-8
PC/C-1814-D	Divider Panel		59491	7-8
PC/C-3122-15	Case, Operational Kit		59491	7-5
PC/LSH	Striker Holder, Leather		59491	7-9

PART NUMBER INDEX (Continued)

P/N	NOMENCLATURE	NSN	CAGE	PAGE
PC/LJ-3X	Coat, Leather		59491	7-10
PC/LNS	Shield, Neck, Helmet		59491	7-11
PC/LSS	Shield, Leather		59491	7-7
PC/LSS	Shield, Leather		59491	7-9
PC/NB	Belt, Nylon, w/ D-Rings		59491	7-5
PC/NBC	Cover, Backpack		59491	7-10
PC/NP	Pouch, Ignitor		59491	7-6
PC/NRHL	Quiver, Rod		59491	7-6
PC/RFC-10	Rod Ignitor		59491	7-12
PC/SG-5	Glasses, Safety		59491	7-11
PC/TAC-BHA	Back Harness Assembly		59491	7-5
PC/TAC-G	Gauge, High Pressure		59491	7-6
PC/TAC-H-10	Hose Assembly, Oxygen, 10'		59491	7-9
PC/TAC-H-5	Hose Assembly, Oxygen, 5'		59491	7-6
PC/TAC-H-5	Hose Assembly, Oxygen, 5'		59491	7-9
PC/TAC-OPS-A	Assault Breacher Torch Kit, Submersible		59491	7-3
PC/TAC-OPS-B	Assault Breacher Torch Kit, Industrial		59491	7-3
PC/TAC-PC-15	Cable, Power, 15' w/ Connectors		59491	7-8
PC/TAC-R-A	Regulator, Oxygen, Submersible		59491	7-7
PC/TAC-R-B	Regulator, Oxygen, Industrial		59491	7-7
PC/TAC-T	Torch, Lightweight, Operational		59491	7-7
PC/TAC-TRG	Training Kit, ABTK		59491	7-8
PC/TAC-T-TR	Torch, Lightweight, Training		59491	7-9
PC/TAC-XT	Rod Extender, 14"		59491	7-7
PC/WG	Gloves, Leather, Welding		59491	7-10
PCRP-314A	Striker Plate Assembly		59491	7-9
PPD	Descender	8465-01-364-0257	0EUP8	4-5
PPP-T-60E	Tape, Pressure Sensitive	7510-00-890-9874	81348	6-53
RBAC07	Rope, Nylon	4020-01-400-5864	66165	4-10
RP103MOD	Pulley Assembly	3020-01-411-1132	66165	4-9
T5-8	Tacker, Staple Gun	5120-00-889-1796	08075	6-48

PART NUMBER INDEX (Continued)

P/N	NOMENCLATURE	NSN	CAGE	PAGE
TA2214	Collet Kit (1/4")		59491	7-12
TA2238	Collet Kit (3/8")		59491	7-12
TKCX1H	Wrench, Pipe	5120-00-277-1486	19204	6-56
TP30	Hooligan Tool, Pry Bar	5120-01-108-8716	30978	6-32
Z4311AA	Ballistic Panel, Groin Protector	8470-01-444-5444	62283	3-6
Z4311AA1	Outershell, Groin Protector	8470-01-444-8202	62283	3-6
Z4311AB	Ballistic Plate Insert, Ceramic Tile	8470-01-445-0997	62283	3-8
Z4311K	Pack, Day	8470-01-444-8380	62283	3-11
Z4311L-SR	Outershell, Body Armor, Small Regular	8470-01-445-3309	62283	3-6
Z4311L-SL	Outershell, Body Armor, Small Long	8470-01-445-0994	62283	
Z4311L-MR	Outershell, Body Armor, Medium Regular	8470-01-445-0996	62283	
Z4311L-ML	Outershell, Body Armor, Medium Long	8470-01-445-0995	62283	
Z4311L-LR	Outershell, Body Armor, Large Regular	8470-01-445-0992	62283	
Z4311L-LL	Outershell, Body Armor, Large Long	8470-01-445-0998	62283	
Z4311L-XLR	Outershell, Body Armor, X-Large Regular	8470-01-445-0993	62283	
Z4311L-XLL	Outershell, Body Armor, X-Large Long	8470-01-444-4458	62283	
Z4311M	Vest, Load Bearing, Assault	8470-01-444-5443	62283	3-9
Z4311N	Magazine Pouch, Rifle and Pistol, P4	8470-01-444-8203	62283	3-10
Z4311N-1	Magazine Pouch, Rifle and Pistol, L7M		62283	3-10
Z4311O	Pouch, Grenade, P7	8470-01-444-5442	62283	3-12
Z4311P	Pouch, Utility, P11	8470-01-444-5439	62283	3-13
Z4311Q	Pouch, Less-than-Lethal, P12	8470-01-444-5445	62283	3-13
Z4311R	Tactical Scabbard, P15	8470-01-447-1348	62283	3-15
Z4311S	Pouch, Shotgun Shell, P2	8470-01-444-5441	62283	3-12
Z4311T	Pouch, Drop	8470-01-447-0196	62283	3-13
Z4311U-1	Weapon Butt Retention Pad	8470-01-447-0202	62283	3-15
Z4311V	Blank Pad, P9A	8470-01-447-0198	62283	3-14
Z4311W	Blank Pad, P9B	8470-01-447-0197	62283	3-14
Z4311X	Blank Pad, P9X	8470-01-447-0199	62283	3-14
Z4311W1	Blank Pad, P9Y	8470-01-447-0200	62283	3-14
Z4311Y-SR	Ballistic Panel, Body Armor, Small Regular	8470-01-444-9909	62283	3-6
Z4311Y-SL	Ballistic Panel, Body Armor, Small Long	8470-01-444-9906	62283	
Z4311Y-MR	Ballistic Panel, Body Armor, Medium Regular	8470-01-444-4455	62283	
Z4311Y-ML	Ballistic Panel, Body Armor, Medium Long	8470-01-444-9907	62283	
Z4311Y-LR	Ballistic Panel, Body Armor, Large Regular	8470-01-444-9908	62283	
Z4311Y-LL	Ballistic Panel, Body Armor, Large Long	8470-01-444-9911	62283	
Z4311Y-XLR	Ballistic Panel, Body Armor, X-Large Regular	8470-01-444-9910	62283	
Z4311Y-XLL	Ballistic Panel, Body Armor, X-Large Long	8470-01-444-9912	62283	

PART NUMBER INDEX (Continued)

P/N	NOMENCLATURE	NSN	CAGE	PAGE
Z4311Z	Pouch, Comm Head Set, R4	8470-01-444-5440	62283	3-12
Z4311Z-1	Back Support Harness		62283	3-15
Z431101	Assault Vest System (AVS)	8470-01-439-3072	62283	3-3
Z432001	Blanket, Breacher, w/ Case	8470-01-441-0885	62283	6-9
004-X500-T	Goggles, Ballistic		0UWS0	4-13
006-1000NHB/OD	Balaclava		0UWS0	2-7
008-6R	Flashlight, High Intensity		0UWS0	4-22
008-V11	Scabbard, Flashlight		0UWS0	4-22
009-52211-F16B	Baton, Collapsible		0UWS0	4-27
041-DB-SMALL 041-DB-MEDIUM 041-DB-LARGE	Belt, Assault, Small Belt, Assault, Medium Belt, Assault, Large		0UWS0 0UWS0 0UWS0	4-17
041-DMP-3-FB (9mm) 041-DMP-3-FB (.45cal)	Pouch, Magazine, Pistol, 9mm Pouch, Magazine, Pistol, .45 cal		0UWS0 0UWS0	4-19
05	Carabiner, Omega	8465-01-415-5137	78848	4-6
059-100-S 059-100-M 059-100-L 059-100-XL	Non-Ballistic Helmet, Small Non-Ballistic Helmet, Medium Non-Ballistic Helmet, Large Non-Ballistic Helmet, X-Large		0UWS0 0UWS0 0UWS0 0UWS0	4-15
059-101-S 059-101-M 059-101-L 059-101-XL	Non-Ballistic Helmet Liner, Small Non-Ballistic Helmet Liner, Medium Non-Ballistic Helmet Liner, Large Non-Ballistic Helmet Liner, X-Large		0UWS0 0UWS0 0UWS0 0UWS0	4-15
091-R1000	Descender	8465-01-364-0257	0UWS0	4-5
091-ULTASO1	Ascender	8465-01-415-5135	66165	4-5
10-AT76	Bag, Rope		0TC88	4-11
11655979	Bag, Tool, Satchel	5140-00-473-6256	34623	6-7
11655979	Bag, Tool, Satchel	5140-00-473-6256	34623	4-21
1220-CVX1	Applique, Anti-Fog, Goggles		0UWS0	4-13
1220-MCU2P	Applique, Anti-Fog, AGM		0UWS0	5-5

PART NUMBER INDEX (Continued)

P/N	NOMENCLATURE	NSN	CAGE	PAGE
127-AS01 X-SM-SHORT	Assault Suit, X-Small-Short		0UWS0	2-5
127-AS01 X-SM-REG	Assault Suit, X-Small-Regular		0UWS0	
127-AS01 X-SM-LONG	Assault Suit, X-Small-Long		0UWS0	
127-AS01 SM-SHORT	Assault Suit, Small-Short		0UWS0	
127-AS01 SM-REG	Assault Suit, Small-Regular		0UWS0	
127-AS01 SM-LONG	Assault Suit, Small-Long		0UWS0	
127-AS01 MED-SHORT	Assault Suit, Medium-Short		0UWS0	
127-AS01 MED-REG	Assault Suit, Medium-Regular		0UWS0	
127-AS01 MED-LONG	Assault Suit, Medium-Long		0UWS0	
127-AS01 LRG-SHORT	Assault Suit, Large-Short		0UWS0	
127-AS01 LRG-REG	Assault Suit, Large-Regular		0UWS0	
127-AS01 LRG-LONG	Assault Suit, Large-Long		0UWS0	
127-AS01 X-LG-SHORT	Assault Suit, X-Large-Short		0UWS0	
127-AS01 X-LG-REG	Assault Suit, X-Large-Regular		0UWS0	
127-AS01 X-LG-LONG	Assault Suit, X-Large-Long		0UWS0	
1418PC-25	Cutting Rod (1/4 x 18")	3439-01-411-8393	59491	7-12
173-4INBLACK	Tape, Insulation, Electrical	5970-00-419-4291	75037	6-51
2995437	Connector, Detonating Cord	1375-00-225-2419	10001	6-16
30-AT367	Rope, Static	4020-01-411-9053	66165	4-11
3004-53-161	Holster, Assault, RH, .45 Cal		0EZ72	4-18
3004-53-162	Holster, Assault, LH, .45 Cal		0EZ72	4-18
3004-73-161	Holster, Assault, RH, 9mm		0EZ72	4-18
3004-73-162	Holster, Assault, LH, 9mm		0EZ72	4-18
3004-536-161	Holster, MEU-SOC .45 w/Mounted Light, RH		0EZ72	4-18
3004-536-162	Holster, MEU-SOC .45 w/Mounted Light, LH		0EZ72	4-18
3005-53-161	Holster, w/Hammer Strap, .45 Cal, RH		0EZ72	4-18
3005-53-162	Holster, w/Hammer Strap, .45 Cal, LH		0EZ72	4-18
3005-73-161	Holster, w/Hammer Strap, 9mm, RH		0EZ72	4-18
3005-73-162	Holster, w/Hammer Strap, 9mm, LH		0EZ72	4-18
31006	Drills, Twist (3/32")	5133-00-010-4005	16568	6-20
31008	Drills, Twist (1/8")	5133-00-841-8702	16568	6-20
31010	Drills, Twist (5/32")	5133-00-850-3292	16568	6-20
31012	Drills, Twist (3/16")	5133-00-900-2063	16568	6-20
31014	Drills, Twist (7/32")	5133-00-841-8759	16568	6-20
31024	Drills, Twist (3/8")	5133-00-841-8746	16568	6-20
31026	Drills, Twist (13/32")	5133-00-841-8744	16568	6-20
31028	Drills, Twist (7/16")	5133-00-841-8742	16568	6-20
333027	Gloves, Abrasion Resistant		3P443	6-27

PART NUMBER INDEX (Continued)

P/N	NOMENCLATURE	NSN	CAGE	PAGE
35-F16-2	Scabbard, Baton		0EZ72	4-27
3818PC-25	Cutting Rod (3/8 x 18")	3439-01-411-7879	59491	7-12
3836PC-25	Cutting Rod (3/8 x 36")	3439-01-411-3866	59491	7-12
44081-1/4IN	Tape, Pressure Sensitive	7510-00-165-6560	52152	6-52
5020	Strap Kit, Involuntary	8465-00-007-2636	57166	4-28
50410	Pads, Knee		0UWS0	4-16
50J8016	Pouch, Mechanics Tool	5140-00-329-4306	80049	6-42
53010	Pads, Elbow		0UWS0	4-16
5340E-1563	Glasses, Range		0S7V7	4-13
55-130	Bar, Wrecking	5120-00-293-0665	57068	6-8
55860	Tool, Survival, Multipurpose	5110-01-346-5341	0RAU7	4-25
5762416	Crimper, Blasting Cap	5120-01-313-6937	53711	6-59
592	Paste, Adhesive, Breacher (5-1/4 oz)	8040-01-411-8927	009J2	6-37
595	Paste, Adhesive, Breacher (5 gal)	8040-01-411-8928	009J2	6-37
599-771-3	Punch, Center, Automatic	5120-00-142-5269	09058	6-44
640045R	Knife, Pocket	5110-00-162-2205	71332	6-60
650067	Harness, Vario-Sit	8465-01-415-5136	0SZC3	4-8
6702835	Firing Device, Dual, Hand-Held	1375-01-377-8032	53711	6-24
6830260	Firing Device, Dual Shock Tube		53711	6-23
70-10029	Drills, Twist (1/2")	5133-00-841-8708	16568	6-20
72-0081	Galvanometer	6625-00-539-8444	07239	6-26
742-100	Helmet Suspension Kit		0UWS0	4-15
8074	Thermoplastic, Contact Adhesive	8040-00-995-7080	04963	6-55
8195590	Pliers, Slip Joint	5120-00-278-0352	18876	6-41
8524T11	Stud Finder, Density		2V507	6-46
8678	Carrier, Tool	5140-00-498-8898	80244	6-12
86P	Pliers, Diagonal Cutting	5110-00-239-8253	55719	6-40
88115001-1	Mask, Chemical-Biological (S)	4240-01-284-3615	98752	5-4
88115001-2	Mask, Chemical-Biological (M)	4240-01-284-3616	98752	5-4
88115001-3	Mask, Chemical-Biological (L)	4240-01-284-3617	98752	5-4
8850-41	Carabiner, Locking	8465-01-415-5134	78848	4-6

PART NUMBER INDEX (Continued)

P/N	NOMENCLATURE	NSN	CAGE	PAGE
92001A0018	Kit, Assault Breacher	9999-01-357-0748	01365	6-3
9204775	Bag, Demolition Equipment	1375-00-212-4597	19203	6-57
9257217	Box, Blasting Cap	8140-00-168-6881	19203	6-58
9312773	Blasting Machine	1375-00-567-0223	19200	6-10
95002A0011	Kit, Individual Assault	8465-01-419-7140	01365	4-3
95002A0012	Kit, Assault Suit (Ensemble)	8415-01-428-2341	01365	2-3
9853S	Drill, Electric, Portable	5130-01-377-0184	60933	6-19

APPENDIX D

COMMERCIAL AND GOVERNMENT ENTITY (CAGE) CODES

**APPENDIX D
COMMERCIAL AND GOVERNMENT ENTITY CODES**

<u>CAGE</u>	<u>Manufacturer Information</u>	<u>CAGE</u>	<u>Manufacturer Information</u>
OEUP8	Safety Systems Corporation 190 E. Easy Street Carol Stream, IL 60188 (630) 653-1103	OZQT5	Kel-Lite Industries, Inc. 2101 Brennan Avenue Fort Worth, TX 76106 (817) 740-9913
OEZ72	Texas State Distributors, Inc. 625 Langham Road Beaumont, TX 77707 (409) 866-1411	009J2	Sentry Solutions Ltd. 111 Sugar Hill Road / P.O. Box 130 Contoocook, NH 03229 (603) 746-5687
OPR87	Iowa-American Firefighting Equip Co, Inc. Industrial Park Osceola, IA 50213 (515) 342-6091	01365	Marine Corps Logistics Base Albany, GA 31704 (912) 439-6414
ORAU7	Gerber Legendary Blades, Inc. 14200 SW 72nd Avenue Portland, OR 97223 (503) 639-6161	04963	Minnesota Mining & Manufacturing Co. 3M Center / Adhesives, Coating, & Sealers Division St. Paul, MN 55144-1000 (612) 737-4114
OSRL5	B-Safe Industries, Inc. 364 Daisy Farm Drive / P.O. Box 153-H Scarsdale, NY 10583 (914) 723-2553	07239	AVO Biddle Instruments DBA AVO Intl. 510 Township Line Road Blue Bell, PA 19422-2701 (215) 646-9200
OS7V7	Protective Optics, Inc. 1320 W. Winton Avenue Hayward, CA 94545 (800) 776-7842	08075	Stanley-Bostitch, Inc. (Catalog Sales) Rt 2 - Briggs Drive / P.O. Box 1739 East Greenwich, RI 02818 (800) 556-4900
OTC88	Adventure Tech, Inc. 4124 N. Burns Road Spokane, WA 99216-1351 (509) 927-2100	09058	Brown & Sharpe Manufacturing Co. 200 Frenchtown Road / Precision Park North Kingstown, RI 02852-1700 (401) 886-2000
OUWSO	Tactical and Survival Specialties, Inc. 1834 S. Main Street Harrisonburg, VA 22801 (540) 434-8974	1JB33	The HYSOL Division of Dexter Corp. 1 Dexter Drive Seabrook, NH 03874 (603) 474-5541

COMMERCIAL AND GOVERNMENT ENTITY CODES (Continued)

<u>CAGE</u>	<u>Manufacturer Information</u>	<u>CAGE</u>	<u>Manufacturer Information</u>
10001	Naval Ordnance Systems Command U.S. Navy Washington, DC 20011 No Telephone Number Listed	19203	U.S. Army Picatinny Arsenal Dover, NJ 07801 (201) 724-4021
12183	Halprin Supply Company 3804 S. Broadway Place Los Angeles, CA 90037-1484 (213) 232-3131	19204	Rock Island Arsenal U.S. Army Rock Island, IL 61201 (309) 782-7805
12255	Naval Surface Warfare Center 300 Highway 361 Crane, IN 47522 No Telephone Number Listed	2V507	McMaster-Carr Supply Company 473 Ridge Road / P.O. Box 440 Dayton, NJ 08810-0440 (908) 329-3200
12405	Dexter Corp. / Electronic Materials Div. 15051 E. Don Julian Road Industry, CA 91746 (818) 968-6511	20455	Diston, Inc. 7345-G W. Friendly Avenue Greensboro, NC 27410 (910) 852-9220
16568	Precision Twist Drill Company One Precision Plaza Crystal Lake, IL 60014 (815) 459-2040	20786	STEBCO Industries, Inc. 1020 W. 40th Street Chicago, IL 60609-2503 (312) 254-1221
18560	ACR Electronics, Inc. 5757 Ravenswood Road Fort Lauderdale, FL 33312-6645 (305) 981-3333	21108	Price G.T. Products, Inc. 2320 E. Valencia Drive Fullerton, CA 92631 (714) 525-5483
18876	Dept. of the Army U.S. Army Missile Command / Redstone Arsenal / Huntsville, AL 35809 (205) 876-2151	3P443	Major Safety Service 4500 Patent Road Norfolk, VA 23502 (757) 855-2088
19200	U.S. Army Armament Research and Development Command Dover, NJ 07801 No Telephone Number Listed	30978	Paratech, Inc. 1025 Lambrecht Road / P.O. Box 1000 Frankfort, IL 60423 (815) 469-3911

COMMERCIAL AND GOVERNMENT ENTITY CODES (Continued)

<u>CAGE</u>	<u>Manufacturer Information</u>	<u>CAGE</u>	<u>Manufacturer Information</u>
34597	Figgie International, Inc. 4420 Sherwin Road Willoughby, OH 44094-7938 (216) 946-9000	55719	Snap-On Tools Corporation 2801 80th Street Kenosha, WI 53141-1410 (800) 759-8877
34623	AM General Corp Service Parts Logistics 408 S. Byrkit Avenue / P.O. Box 728 Mishawaka, IN 46546-0728 (219) 258-6636	55799	Mine Safety Appliances Company 3880 Meadowbrook Road Murrysville, PA 15668-1753 (412) 733-9100
39428	McMaster-Carr Supply Company 600 County Line Road Elmhurst, IL 60126 (630) 833-0300	57068	Stanley Works Corporation 1000 Stanley Drive New Britain, CT 06053 (860) 225-5111
51024	T & B/Valcon / Sub of Thomas & Betts 920 Route 202 Raritan, NJ 08869-1420 (908) 788-6000	57166	Becton Dickinson and Company Ivers Lee/Public Safety Division 147 Clinton Road West Caldwell, NJ 07006 (201) 575-3951
52152	Minnesota Mining & Manufacturing Co. 3M Center / Industrial Tape & Spec. Div. Saint Paul, MN 55144-1000 (612) 737-4114	58536	Federal Commercial Item Description Promulgated by General Services United States No Telephone Number Listed
52403	Recreational Equipment, Inc. (REI) 1700 45th Street East / P.O. Box 1700 Sumner, WA 98390-0900 (800) 258-4567	59491	BROCO, Inc. 8690 Red Oak Street Rancho Cucamonga, CA 91730-4819 (800) 845-7259
53711	Naval Sea Systems Command U.S. Navy Washington, DC 20362 No Telephone Number Listed	60933	Porter-Cable Corporation P.O. Box 2468 Jackson, TN 38301 (901) 668-8600
54940	Simonds Industries, Inc. Interval Road / P.O. Box 500 Fitchburg, MA 01420 (508) 343-3731	61125	J.G.B. Enterprises, Inc. 115 Metropolitan Drive / P.O. Box 209 Liverpool, NY 13088 (315) 451-2770

COMMERCIAL AND GOVERNMENT ENTITY CODES (Continued)

CAGE Manufacturer Information

61318 Audiopack Sound Systems
10011 Walford Avenue
Cleveland, OH 44102-4622
(216) 651-0066

62283 Point Blank Body Armor, Inc.
P.O. Box 2646
Laurel, MD 20709
(301) 490-3524

66165 Climb High, Inc.
60 Northside Drive
Shelburne, VT 05482
(802) 985-5056

71332 Case W.R. & Sons Cutlery Co, Inc.
20 Russel Boulevard
Bradford, PA 16701-1850
(814) 368-4123

74421 Warren Leather Goods Company
Worcester, MA 01606
No Telephone Number Listed

75037 Minnesota Mining & Manufacturing Co.
3M Austin Center/Electrical Products Div.
Austin, TX 78769-2963
(512) 984-1800

76736 Nonfluid Oil Corporation
298 Delancy Street
Newark, NJ 07105-3009
(201) 344-3451

78848 Omega Pacific, Inc.
11919 W. Sprague / Bldg H1 / Box 1780
Airway Heights, WA 99001
(509) 244-0949

CAGE Manufacturer Information

8J931 American Body Armor & Equip Co, Inc.
85 Nassau Place
Yulee, FL 32097
(904) 261-4035

8Y672 Actron Manufacturing Company, Inc.
9999 Walford Avenue
Cleveland, OH 44102-4621
(216) 651-9200

80049 Department of the Air Force
Supply and Logistics
Washington, DC 20330
No Telephone Number Listed

80058 Joint Electronics Type
Designation Systems
Washington, DC 20011
No Telephone Number Listed

80204 American National Standards
Institute (ANSI)
11 West 42nd Street
New York, NY 10036
(212) 642-4900

80244 General Services Administration (GSA)
Federal Supply Service
Crystal Mall, Bldg 4 / 1941 Jeff Davis Hwy
Washington, DC 20406
(703) 305-7510

81348 Federal Specifications
Promulgated by General Services
Washington, DC 20011
No Telephone Number Listed

81349 Military Specifications
Promulgated by U.S. Military
Washington, DC 20011
No Telephone Number Listed

COMMERCIAL AND GOVERNMENT ENTITY CODES (Continued)

CAGE Manufacturer Information

81361 U.S. Army - Armament Research and
Development Command
Aberdeen Proving Ground, MD 21010
No Telephone Number Listed

83104 Potomac Rubber Co, Inc.
9011 Hampton Overlook
Capitol Heights, MD 20743
(301) 336-7400

83421 National Industries for the Blind
1901 N. Beauregard Street / Suite 200
Alexandria, VA 22311
(703) 998-0770

86373 Palmer Wellcot Tool Corporation
Meadville, PA 16335
No Telephone Number Listed

9N049 Human Technologies Corporation
2260 Dwyer Avenue
Utica, NY 13501-2425
(315) 724-9891

CAGE Manufacturer Information

90303 Duracell, Inc.
Berkshire Corporate Park
Bethel, CT 06801
(203) 796-4000

92114 Scott Aviation
123 East Montecito Avenue
Sierra Madre, CA 91024-1923
(818) 355-4281

96906 Military Standards
Promulgated by Military Departments
Washington, DC 20011
No Telephone Number Listed

98750 U.S. Air Force
San Antonio Logistics Center
Kelly Air Force Base
San Antonio, TX 78241
(210) 925-9120

98752 U.S. Air Force
Warner Robins Air Logistics Center
Warner Robins Air Force Base
Warner Robins, GA 31098
No Telephone Number Listed